

Since the usage and finishing of the product is not under our control, we accept no liability for the success of the work and can therefore only guarantee the nature of our products as per the accompanying product data sheets and in accordance with our general terms and conditions of sale. The properties listed here represent no guarantee with respect to the eventual use of our products. We reserve the right to make changes due to technical advances. Any other technical information given in the course of a consultation must be confirmed in writing. Colours shown here are restricted by the printing techniques and may differ from those exhibited by the products themselves. We also reserve the right to make alterations to the product technology or design. Only the current version of this data sheet is valid. Such versions are accessible by anyone via the internet. The issue of the latest data sheet invalidates all those that have been published beforehand.

T-FLOOR

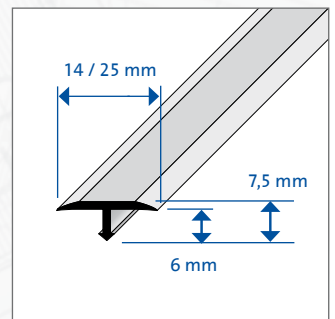
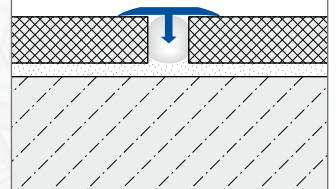
1/2

Separating and cover profiles for subsequent application

- Information Sheet -



Aluminium, Brass



APPLICATION:

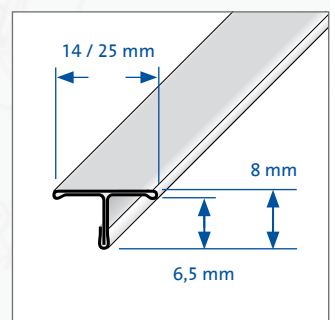
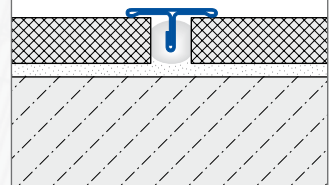
T-FLOOR Transition Strips by Dural are developed for linking adjacent flooring materials with no or little difference in height. The T-shape allows subsequent application. The use of special tools is not required. T-FLOOR Transition Strips are simply pressed into a joint filled with silicone. T-FLOOR links ceramics and parquet, natural stone, concrete, parquet or laminate. The respective edges are covered in such a way that the marginal areas of the flooring material cannot be damaged.

T-FLOOR Transition Strips (aluminium and brass) are also available in a flexible version "Z-Flex".

MATERIAL:

The following versions of T-FLOOR are available: aluminium natural; aluminium anodised; brass natural; brass high gloss finish („Star“ with peel-off strip); brass chrome-plated („Star“ without peel-off strip); stainless steel high gloss and polished („Star“ with peel-off strip).

Stainless steel



EIGENSCHAFTEN:

T-FLOOR Transition Strips in **aluminium** are suitable where no exceptional chemical reactions are expected. Careful handling of cement materials is required to avoid corrosion. Because aluminium is sensitive to alkaline media's all residues of mortar, tile cement or joint cement have to be immediately removed from all visible surfaces. The profile is to be completely embedded into the contact layer. This avoids cavities to generate where alkaline water might accumulate.

T-FLOOR Transition Strips of **anodised aluminium** are of special refinement and therefore the surface is usually not subject to changes. The visible surfaces must be protected against any cement materials. Damages can occur because of scratching or abrasive objects.

DURAL GmbH

Südring 11

D-56412 Ruppach-Goldhausen

Tel. +49 (0) 2602/9261-0

Fax +49 (0) 2602/9261-50

info@dural.com

Separating and cover profiles for subsequent application

- Information Sheet -

T-FLOOR Transition Strips of **brass** are appropriate for application in domestic areas and industrial buildings. They are resistant to major stresses and mostly resistant to chemicals generating during the laying of tiles. Important: brass oxidizes when exposed to air, especially with high humidity. The surface is covered with a patina (protective layer) and changes its appearance.

T-FLOOR Transition Strips of **stainless steel** are especially appropriate for areas subjected to high stresses because of chemicals and acids. Also the mechanical resistance is meeting highest requirements. Stainless steel profiles are used for example in the foodstuff industry, in hospitals, swimming-pools and breweries. The following is valid for all materials: The suitability of each profile with respect to mechanical and chemical resistance is to be examined for each individual case.

For all products and materials, the following applies: The suitability of the material with regard to the expected mechanical loading and chemical exposure must be investigated carefully in each individual case. The generally recognised rules of good engineering practice must always be observed!

HANDLING:

1. Clean the joint inside (at least a depth of 7 mm).
2. Fill the joint with single-pack silicone.
3. Press the T-FLOOR profile into the joint until it is completely in contact with the flooring materials.
4. Remove any surplus silicone from the edges using cleaning material.

CARE AND MAINTAINANCE:

T-FLOOR Transition Strips do not require any special care. Oxidation layers can be removed with polishing material. A permanent removal however is not possible. The cleaning materials must be free of hydrochloric acid and hydrofluoric acid and must not be abrasive.

PRODUCT DATA:

MATERIAL:	– Aluminium natural – Aluminium anodised (silver, gold, titanium) – Brass natural – Brass high gloss polished („Star“ with peel-off strip) – Brass chrome plated („Star“ without peel-off strip) – Stainless steel natural – Stainless steel brushed (grain 240, Mat V2A), („Star“ with peel-off strip) – Stainless steel high gloss polished (Mat. V2A), („Star“ with peel-off strip)
LENGTH:	100 cm (Aluminium, Brass) / 250 cm (Aluminium, Brass, Stainless steel)
WIDTH:	14 / 25 mm
HEIGHT:	6 mm (Aluminium, Brass), 6,5 mm (Stainless steel)

DURAL GmbH

Südring 11

D-56412 Ruppach-Goldhausen

Tel. +49 (0) 2602/9261-0

Fax +49 (0) 2602/9261-50

info@dural.com