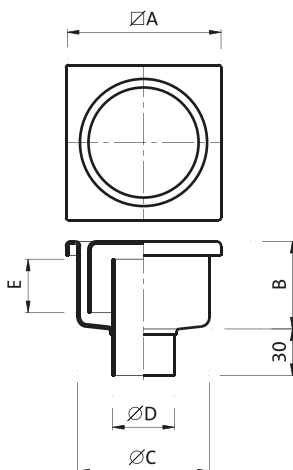


# STANDARD GULLIES

**P.062** GULLY 100x100,  
OUTLET  $\varnothing$  40 mm

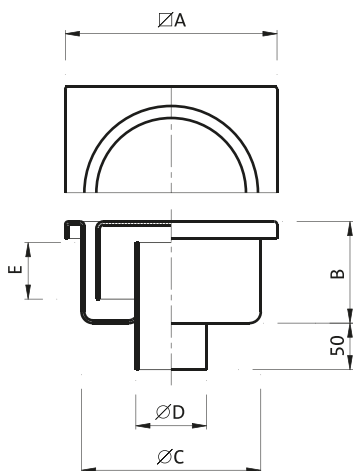


## Features

Finish: **Sand-blast or polished**  
Available with or without basket.

Item.	Main Measurements (mm)					Capacity (Kg)		Outlet capacity
	$\varnothing A$	B	$\varnothing C$	$\varnothing D$	E	Concentrated load	Distributed load	Lt/min.
P 062	100	56	85	40	33	200	/	20

**P.070** GULLY 150x150,  
OUTLET  $\varnothing$  50 mm

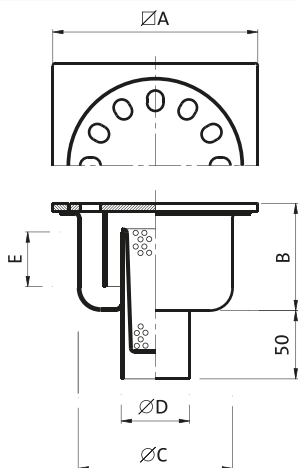


## Features

Finish: **Sand-blast or polished**  
Available with or without basket..

Item.	Main Measurements (mm)					Capacity (Kg)		Outlet capacity
	$\varnothing A$	B	$\varnothing C$	$\varnothing D$	E	Concentrated load	Distributed load	Lt/min.
P 070	150	75	126	50	33	400	/	38

**P.024** GULLY 150x150,  
OUTLET  $\varnothing$  50 mm

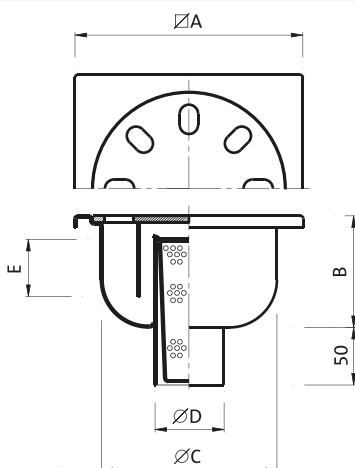


## Features

Finish: **Sand-blast**  
Also available with or without basket and with cover fastened with a screw.  
On request round model.

Item.	Main Measurements (mm)					Capacity (Kg)		Outlet capacity
	$\varnothing A$	B	$\varnothing C$	$\varnothing D$	E	Concentrated load	Distributed load	Lt/min.
P 024	150	80	110	50	35	1000	5000	38

**P.002** GULLY 200x200,  
OUTLET  $\varnothing$  63,5 mm

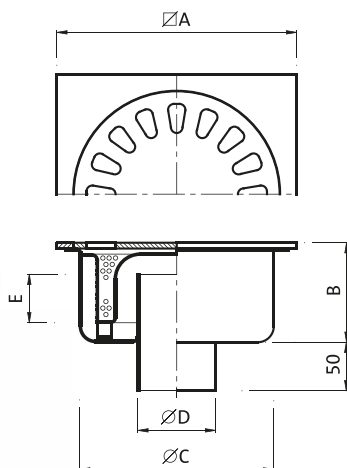


## Features

Finish: **Sand-blast**  
Also available with or without basket and with cover fastened with a screw.

Item.	Main Measurements (mm)					Capacity (Kg)		Outlet capacity
	$\varnothing A$	B	$\varnothing C$	$\varnothing D$	E	Concentrated load	Distributed load	Lt/min.
P 002	200	85	150	63,5	50	850	4600	74

**P.016** GULLY 250x250,  
OUTLET  $\varnothing$  76/80 mm



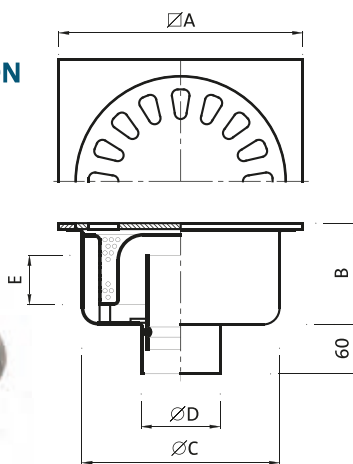
### Features

Finish: **Sand-blast**

**Also available: with or without basket, with cover fastened with a screw, and also with top plate of different thickness. On request round model.**

Item.	Main Measurements (mm)					Capacity (Kg)		Outlet capacity Lt/min.
	$\varnothing$ A	B	$\varnothing$ C	$\varnothing$ D	E	Concentrated load	Distributed load	
P 016	250	115	195	76 80	50	850	6500	110

**P.025** GULLY 250x250,  
OUTLET  $\varnothing$  76 mm  
WITH REMOVABLE SIPHON



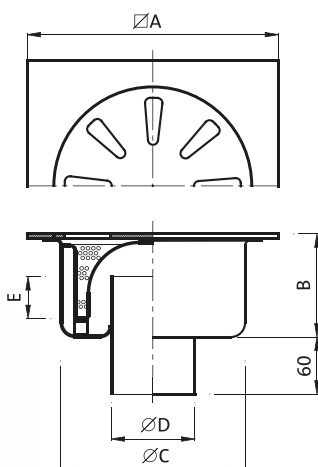
### Features

Finish: **Sand-blast**

**Also available: with or without basket, with cover fastened with a screw, and also with top plate of different thickness. On request round model.**

Item.	Main Measurements (mm)					Capacity (Kg)		Outlet capacity Lt/min.
	$\varnothing$ A	B	$\varnothing$ C	$\varnothing$ D	E	Concentrated load	Distributed load	
P 025	250	115	195	76	50	850	6500	46

**P.005** GULLY 300x300,  
OUTLET  $\varnothing$  101,6/110 mm



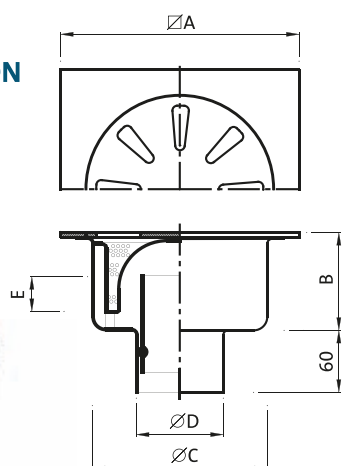
### Features

Finish: **Sand-blast**

**Also available: with or without basket, with cover fastened with a screw, and also with top plate of different thickness. On request round model.**

Item.	Main Measurements (mm)					Capacity (Kg)		Outlet capacity Lt/min.
	$\varnothing$ A	B	$\varnothing$ C	$\varnothing$ D	E	Concentrated load	Distributed load	
P 005	300	126	220	101,6 110	60	850	6500	140

**P.026** GULLY 300x300,  
OUTLET  $\varnothing$  110 mm  
WITH REMOVABLE SIPHON



### Features

Finish: **Sand-blast**

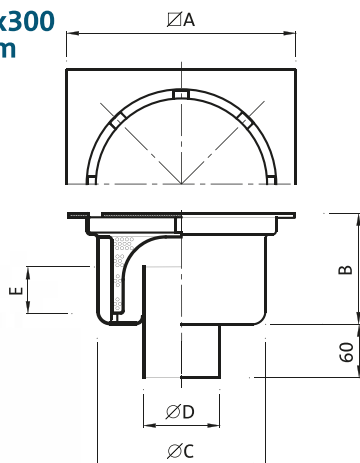
**Also available: with or without basket, with cover fastened with a screw, and also with top plate of different thickness. On request round model.**

Item.	Main Measurements (mm)					Capacity (Kg)		Outlet capacity Lt/min.
	$\varnothing$ A	B	$\varnothing$ C	$\varnothing$ D	E	Concentrated load	Distributed load	
P.026	300	126	220	110	60	850	6500	130

# STANDARD GULLIES

P.007

**REINFORCED GULLY 300x300**  
OUTLET  $\varnothing$  101,6/110 mm



## Features

Finish: **Sand-blast**

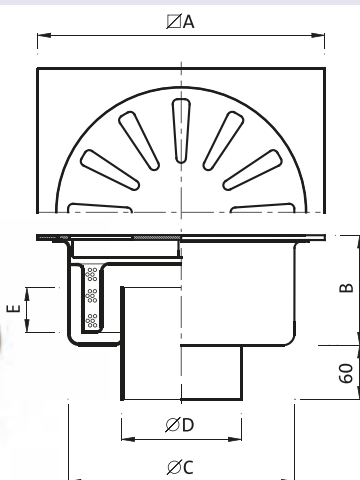
**Also available:** with or without basket, with cover fastened with a screw, and also with top plate of different thickness.

On request round model.

Item.	Main Measurements (mm)					Capacity (Kg)		Outlet capacity
	$\varnothing A$	B	$\varnothing C$	$\varnothing D$	E	Concentrated load	Distributed load	Lt/min.
P007	300	145	220	101,6 110	60	1600	16400	130

P.020

**GULLY 350x350**  
OUTLET  $\varnothing$  154 mm



## Features

Finish: **Sand-blast**

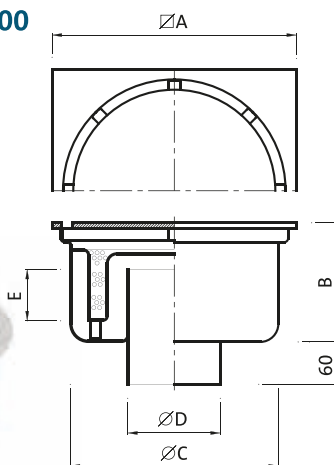
**Also available:** with or without basket, with cover fastened with a screw, and also with top plate of different thickness.

On request round model.

Item.	Main Measurements (mm)					Capacity (Kg)		Outlet capacity
	$\varnothing A$	B	$\varnothing C$	$\varnothing D$	E	Concentrated load	Distributed load	Lt/min.
P020	350	150	290	154	60	600	4000	220

P.010

**REINFORCED GULLY 400x400**  
OUTLET  $\varnothing$  154 mm



## Features

Finish: **Sand-blast**

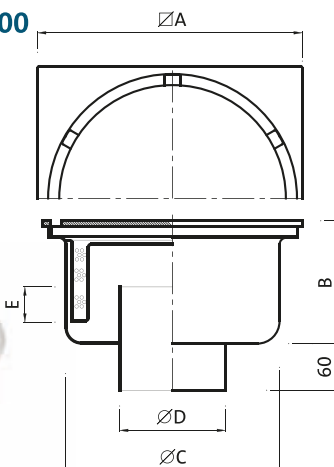
**Also available:** with or without basket, with cover fastened with a screw, and also with top plate of different thickness.

On request round model.

Item.	Main Measurements (mm)					Capacity (Kg)		Outlet capacity
	$\varnothing A$	B	$\varnothing C$	$\varnothing D$	E	Concentrated load	Distributed load	Lt/min.
P 010	400	200	340	154	70	1900	14900	220

P.019

**REINFORCED GULLY 500x500**  
OUTLET  $\varnothing$  219 mm



## Features

Finish: **Sand-blast**

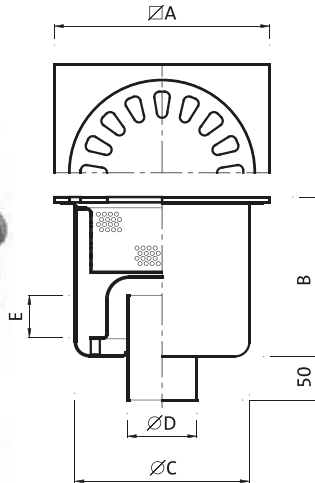
**Also available:** with or without basket, with cover fastened with a screw, and also with top plate of different thickness.

On request round model.

Item.	Main Measurements (mm)					Capacity (Kg)		Outlet capacity
	$\varnothing A$	B	$\varnothing C$	$\varnothing D$	E	Concentrated load	Distributed load	Lt/min.
P 019	500	235	425	219	80	1900	14900	270

P.072

**GULLY 250x250  
WITH SEPARATED BASKET  
OUTLET  $\varnothing$  76/80 mm**



### Features

Finish: **Sand-blast**

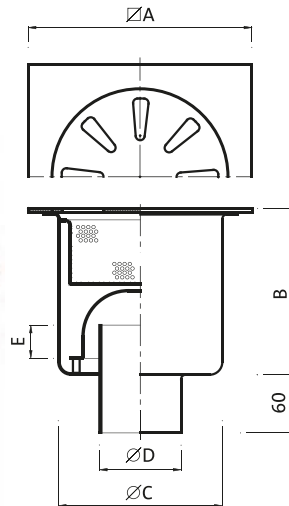
Also available with top plate of different thickness.

On request round model.

Item.	Main Measurements (mm)					Capacity (Kg)		Outlet capacity Lt/min.
	$\varnothing$ A	B	$\varnothing$ C	$\varnothing$ D	E	Concentrated load	Distributed load	
P.072	250	220	195	76 80	50	850	6500	80

P.074

**GULLY 300x300  
WITH SEPARATED BASKET  
OUTLET  $\varnothing$  101,6/110 mm**



### Features

Finish: **Sand-blast**

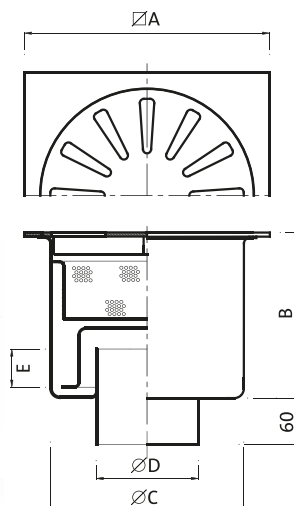
Also available with top plate of different thickness.

On request round model.

Item.	Main Measurements (mm)					Capacity (Kg)		Outlet capacity Lt/min.
	$\varnothing$ A	B	$\varnothing$ C	$\varnothing$ D	E	Concentrated load	Distributed load	
P.074	300	220	220	101,6 110	60	850	6500	130

P.076

**GULLY 350x350  
WITH SEPARATED BASKET  
OUTLET  $\varnothing$  154 mm**



### Features

Finish: **Sand-blast**

Also available with top plate of different thickness.

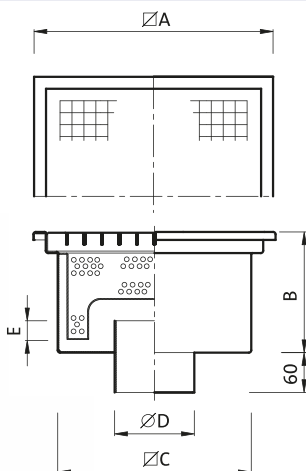
On request round model.

Item.	Main Measurements (mm)					Capacity (Kg)		Outlet capacity Lt/min.
	$\varnothing$ A	B	$\varnothing$ C	$\varnothing$ D	E	Concentrated load	Distributed load	
P.076	350	250	290	154	60	600	4000	220

# STANDARD GULLIES

**PGR.025080**

**GULLY 250x250  
GRATING COVER  
OUTLET  $\varnothing$  80 mm**



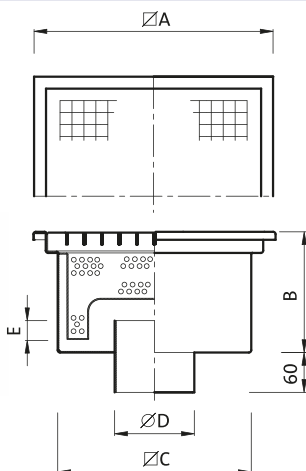
### Features

Finish: **Sand-blast**  
**Standard grating cover:**  
 bearing surface 25x3 mesh 22x22.  
 Also available with grating cover  
 in different mesh.

Item.	Main Measurements (mm)					Capacity (Kg)		Outlet capacity Lt/min.
	$\varnothing$ A	B	$\varnothing$ C	$\varnothing$ D	E	80x80	120x120	
PGR.025080	250	250	215	80	60	710	1250	80

**PGR.030100**

**GULLY 300x300  
GRATING COVER  
OUTLET  $\varnothing$  101,6 mm**



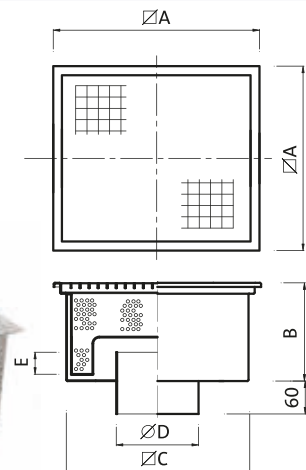
### Features

Finish: **Sand-blast**  
**Standard grating cover:**  
 bearing surface 25x3 mesh 22x22.  
 Also available with grating cover  
 in different mesh.

Item.	Main Measurements (mm)					Capacity (Kg)		Outlet capacity Lt/min.
	$\varnothing$ A	B	$\varnothing$ C	$\varnothing$ D	E	80x80	120x120	
PGR.030100	300	250	265	101,6	60	520	880	130

**PGR.040154**

**GULLY 400x400  
GRATING COVER  
OUTLET  $\varnothing$  154 mm**



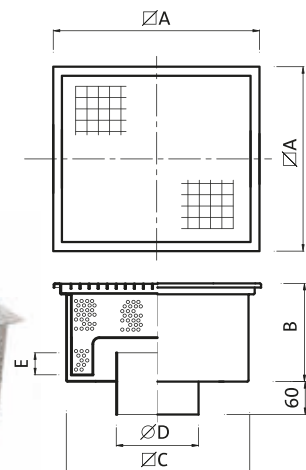
### Features

Finish: **Sand-blast**  
**Standard grating cover:**  
 bearing surface 25x3 mesh 22x22.  
 Also available with grating cover  
 in different mesh.

Item.	Main Measurements (mm)					Capacity (Kg)		Outlet capacity Lt/min.
	$\varnothing$ A	B	$\varnothing$ C	$\varnothing$ D	E	80x80	120x120	
PGR.040154	400	250	365	154	60	340	550	220

**PGR.050219**

**GULLY 500x500  
GRATING COVER  
OUTLET  $\varnothing$  219 mm**



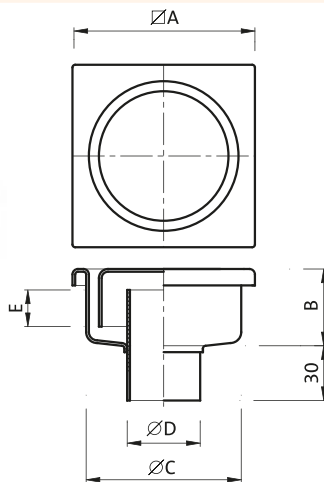
### Features

Finish: **Sand-blast**  
**Standard grating cover:**  
 bearing surface 30x3 mesh 22x22.  
 Also available with grating cover  
 in different mesh.

Item.	Main Measurements (mm)					Capacity (Kg)		Outlet capacity Lt/min.
	$\varnothing$ A	B	$\varnothing$ C	$\varnothing$ D	E	80x80	120x120	
PGR.050219	500	250	465	219	60	360	580	270

# GULLIES LOWER VERSION

**P.066** GULLY 100x100,  
OUTLET  $\varnothing$  40 mm



## Features

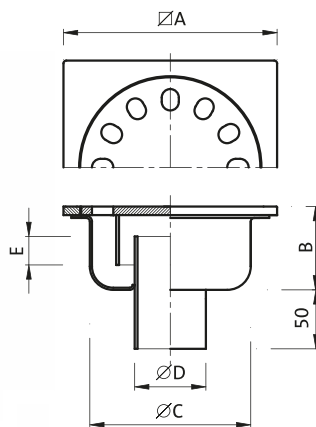
Finish: **Sand-blast or polished**

## N.B.:

**Available 150x150mm version  
outlet  $\varnothing$ 50mm**

Item.	Main Measurements (mm)					Capacity (Kg)		Outlet capacity
	$\varnothing A$	B	$\varnothing C$	$\varnothing D$	E	Concentrated load	Distributed load	Lt/min.
P.066	100	35	85	40	15	200		12

**P.028** GULLY 150x150,  
OUTLET  $\varnothing$  50 mm



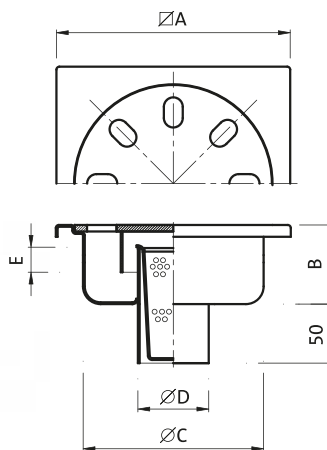
## Features

Finish: **Sand-blast**

**Also available with or without basket and with  
cover fastened with a screw.  
On request round model.**

Item.	Main Measurements (mm)					Capacity (Kg)		Outlet capacity
	$\varnothing A$	B	$\varnothing C$	$\varnothing D$	E	Concentrated load	Distributed load	Lt/min.
P.028	150	55	110	50	20	1000	5000	38

**P.014** GULLY 200x200,  
OUTLET  $\varnothing$  63,5 mm



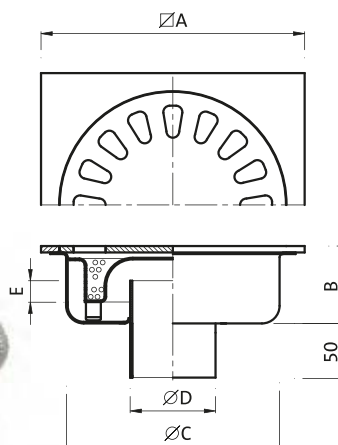
## Features

Finish: **Sand-blast**

**Also available with or without basket and with  
cover fastened with a screw.**

Item.	Main Measurements (mm)					Capacity (Kg)		Outlet capacity
	$\varnothing A$	B	$\varnothing C$	$\varnothing D$	E	Concentrated load	Distributed load	Lt/min.
P.014	200	50	150	63,5	25	850	4600	46

**P.030** GULLY 250x250,  
OUTLET  $\varnothing$  76/80 mm



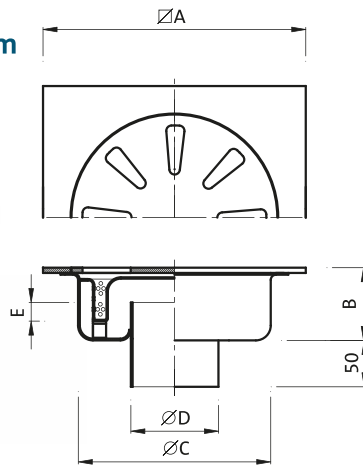
## Features

Finish: **Sand-blast**

**Also available with or without basket and with  
cover fastened with a screw.  
On request round model.**

Item.	Main Measurements (mm)					Capacity (Kg)		Outlet capacity
	$\varnothing A$	B	$\varnothing C$	$\varnothing D$	E	Concentrated load	Distributed load	Lt/min.
P030	250	85	195	76 80	25	850	6500	80

**P.006** GULLY 300x300,  
OUTLET  $\varnothing$  101,6/110 mm

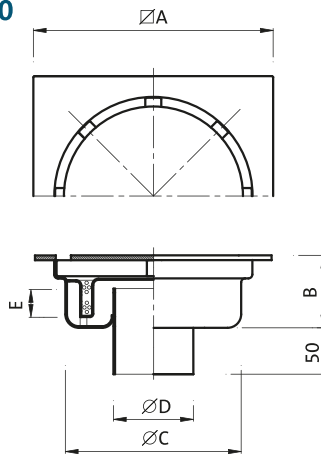


**Features**

Finish: **Sand-blast**  
**Also available with or without basket and with cover fastened with a screw.**  
**On request round model.**

Item.	Main Measurements (mm)					Capacity (Kg)		Outlet capacity Lt/min.
	$\varnothing$ A	B	$\varnothing$ C	$\varnothing$ D	E	Concentrated load	Distributed load	
P006	300	85	220	101,6 110	30	850	6500	130

**P.012** REINFORCED GULLY 300x300  
OUTLET  $\varnothing$  101,6/110 mm



**Features**

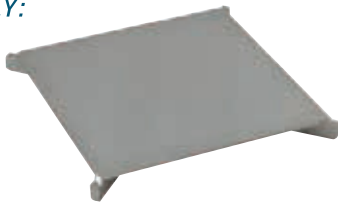
Finish: **Sand-blast**  
**Also available with or without basket and with cover fastened with a screw.**  
**On request round model.**

Item.	Main Measurements (mm)					Capacity (Kg)		Outlet capacity Lt/min.
	$\varnothing$ A	B	$\varnothing$ C	$\varnothing$ D	E	Concentrated load	Distributed load	
P012	300	85	220	101,6 110	25	1600	16400	130

## COVERS FOR GULLIES On request we produce specials executions

OPTIONAL FOR GULLY:

- PGR.025080
- PGR.030100
- PGR.040154
- PGR.050219



OPTIONAL FOR GULLY:

- P.002 P.072
- P.005 P.074
- P.016 P.076
- P.020 P.025
- P.026 P.024



OPTIONAL FOR GULLY:

- PGR.025080
- PGR.030100
- PGR.040154
- PGR.050219



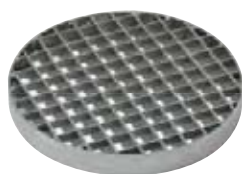
OPTIONAL FOR GULLY:

- P.002 P.072
- P.005 P.074
- P.016 P.076
- P.020 P.025
- P.026 P.024



OPTIONAL FOR GULLY:

- P.007
- P.010
- P.080



OPTIONAL FOR GULLY:

- P.007
- P.010
- P.080

