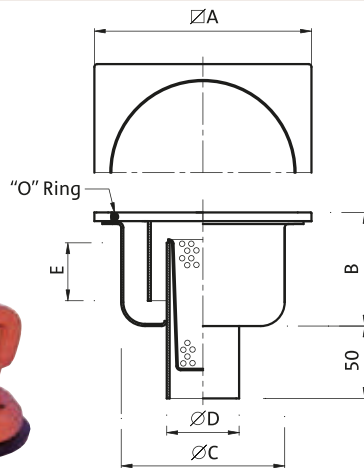


GULLIES WITH O-RING CLOSURE

P.024C GULLY 150x150,
OUTLET \varnothing 50 mm



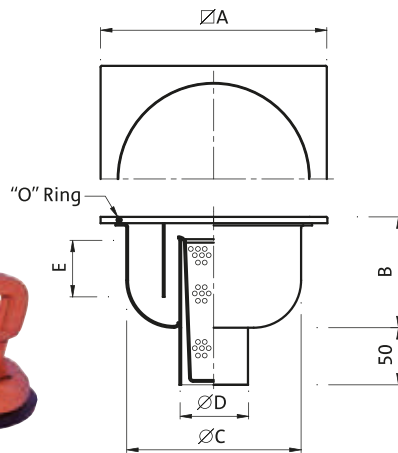
Features

Finish: **Sand-blast**

Also available: with or without basket, lower and round version, with cover fastened with a screw.
Sucker, accessory sell separately.

Item.	Main Measurements (mm)					Capacity (Kg)		Outlet capacity
	$\varnothing A$	B	$\varnothing C$	$\varnothing D$	E	Concentrated load	Distributed load	Lt/min.
P 024C	150	80	110	50	35	1000	5000	38

P.002C GULLY 200x200,
OUTLET \varnothing 63,5 mm



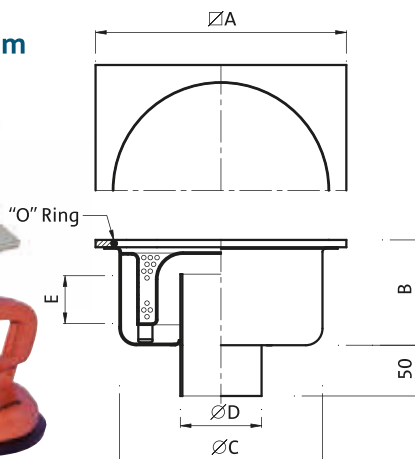
Features

Finish: **Sand-blast**

Also available: with or without basket, lower and round version, with cover fastened with a screw.
Sucker, accessory sell separately.

Item.	Main Measurements (mm)					Capacity (Kg)		Outlet capacity
	$\varnothing A$	B	$\varnothing C$	$\varnothing D$	E	Concentrated load	Distributed load	Lt/min.
P 002C	200	85	150	63,5	50	850	4600	46

P.064 GULLY 250x250,
OUTLET \varnothing 76/80 mm



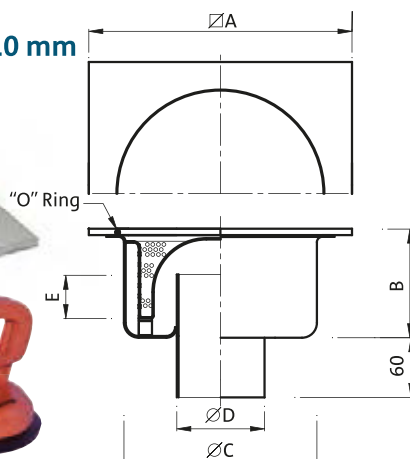
Features

Finish: **Sand-blast**

Also available: with or without basket, lower and round version, with cover fastened with a screw.
Sucker, accessory sell separately.

Item.	Main Measurements (mm)					Capacity (Kg)		Outlet capacity
	$\varnothing A$	B	$\varnothing C$	$\varnothing D$	E	Concentrated load	Distributed load	Lt/min.
P.064	250	115	195	76 80	50	850	6500	80

P.065 GULLY 300x300,
OUTLET \varnothing 101,6/110 mm



Features

Finish: **Sand-blast**

Also available: with or without basket, lower and round version, with cover fastened with a screw.
Sucker, accessory sell separately.

Item.	Main Measurements (mm)					Capacity (Kg)		Outlet capacity
	$\varnothing A$	B	$\varnothing C$	$\varnothing D$	E	Concentrated load	Distributed load	Lt/min.
P.065	300	126	220	110 101,6	60	850	6500	130