

Since the usage and finishing of the product is not under our control, we accept no liability for the success of the work and can therefore only guarantee the nature of our products as per the accompanying product data sheets and in accordance with our general terms and conditions of sale. The properties listed here represent no guarantee with respect to the eventual use of our products. We reserve the right to make changes due to technical advances. Any other technical information given in the course of a consultation must be confirmed in writing. Colours shown here are restricted by the printing techniques and may differ from those exhibited by the products themselves. We also reserve the right to make alterations to the product technology or design. Only the current version of this data sheet is valid. Such versions are accessible by anyone via the internet. The issue of the latest data sheet invalidates all those that have been published beforehand.

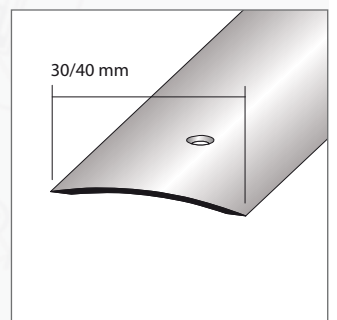
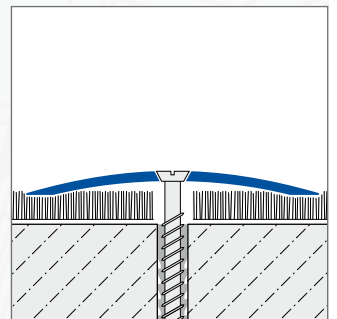
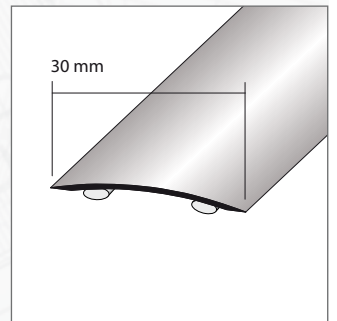
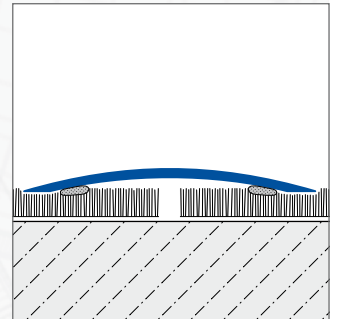
UNIFLOOR Standard

1/1

Cover strips for carpets

- Information Sheet -

DURAL



APPLICATION:

Junction profiles for floors that have already been laid. Various materials and surfaces are available and there are both perforated versions that can be secured with screws or non-perforated, narrow-format self-adhesive versions that simply adhere to the floor.

MATERIAL:

- Aluminium anodised silver, gold, bronze
- Brass high gloss
- Stainless steel (1.4016)
- Steel brass cased

BREITE:

- 30 mm (self-adhesive: Aluminium, Brass, Stainless steel, Steel brass cased)
- 30 mm (screw fixing: Aluminium, Brass, Stainless steel, Steel brass cased)
- 40 mm (screw fixing: Brass, Stainless steel, Steel brass cased)

PRODUCT DATA:

| | |
|------------------|--|
| MATERIAL: | Aluminium anodised silver, gold, bronze Brass high gloss, Stainless steel (1.4016), Steel brass cased |
| LENGTH: | 90 / 93 / 100 / 270 cm |
| WIDTH: | 30 / 40 mm |
| HEIGHT: | 0-9 mm (30 mm); 0-14 mm (40 mm) |

DURAL GmbH

Südring 11

D-56412 Ruppach-Goldhausen

Tel. +49 (0) 2602/9261-0

Fax +49 (0) 2602/9261-50

info@dural.com