

Since the usage and finishing of the product is not under our control, we accept no liability for the success of our products as per the accompanying product data sheets and in accordance with our general terms and conditions of sale. The properties listed here represent no guarantee with respect to the eventual use of our products. We reserve the right to make changes due to technical advances. Any other technical information given in the course of a consultation must be confirmed in writing. Colours shown here are restricted by the printing techniques and may differ from those exhibited by the products themselves. We also reserve the right to make alterations to the product technology or design. Only the current version of this data sheet is valid. Such versions are accessible by anyone via the internet. The issue of the latest data sheet invalidates all those that have been published beforehand.

STEPFLOOR G

1/1

Step-nosing profile for laminate and parquet floors

- Information Sheet -

DURAL



APPLICATION:

Angled box-section edging profile for the renovation of stair edges in conjunction with laminate or parquet flooring. Two different heights and colours with grooved surface are available. Secured by screws.

MATERIAL:

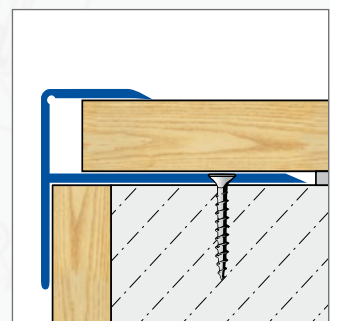
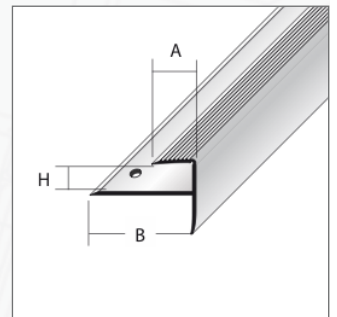
Aluminium anodised silver, gold

HEIGHT:

8 / 14 mm

LENGTH:

90 / 270 cm



DURAL GmbH

Südring 11

D-56412 Ruppach-Goldhausen

Tel. +49 (0) 2602/9261-0

Fax +49 (0) 2602/9261-50

info@dural.com