

Since the usage and finishing of the product is not under our control, we accept no liability for the success of the work and can therefore only guarantee the nature of our products as per the accompanying product data sheets and in accordance with our general terms and conditions of sale. The properties listed here represent no guarantee with respect to the eventual use of our products. We reserve the right to make changes due to technical advances. Any other technical information given in the course of a consultation must be confirmed in writing. Colours shown here are restricted by the printing techniques and may differ from those exhibited by the products themselves. We also reserve the right to make alterations to the product technology or design. Only the current version of this data sheet is valid. Such versions are accessible by anyone via the internet. The issue of the latest data sheet invalidates all those that have been published beforehand.

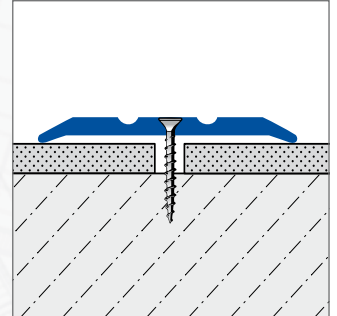
LINO

1/1

Cover strip, Finish strip

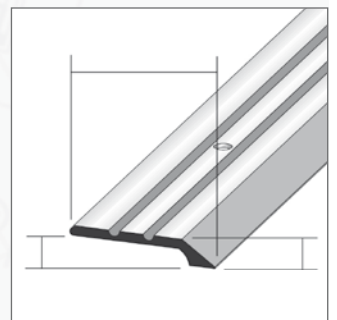
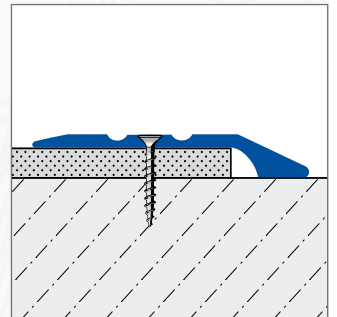
- Information Sheet -

DURAL



APPLICATION:

For junctions between narrow carpets, between carpet and linoleum or at an edge or junction of a lino floor. The anodised aluminium profiles are available in various colours and are secured by screws.



PRODUCT DATA:

MATERIAL:	Aluminium anodised silver, gold, bronze
LENGTH:	270 cm
WIDTH:	25 / 30 mm
HEIGHT:	3 / 5,5 mm

DURAL GmbH

Südring 11

D-56412 Ruppach-Goldhausen

Tel. +49 (0) 2602/9261-0

Fax +49 (0) 2602/9261-50

info@dural.com

Since the usage and finishing of the product is not under our control, we accept no liability for the success of the work and can therefore only guarantee the nature of our products as per the accompanying product data sheets and in accordance with our general terms and conditions of sale. The properties listed here represent no guarantee with respect to the eventual use of our products. We reserve the right to make changes due to technical advances. Any other technical information given in the course of a consultation must be confirmed in writing. Colours shown here are restricted by the printing techniques and may differ from those exhibited by the products themselves. We also reserve the right to make alterations to the product technology or design. Only the current version of this data sheet is valid. Such versions are accessible by anyone via the internet. The issue of the latest data sheet invalidates all those that have been published beforehand.

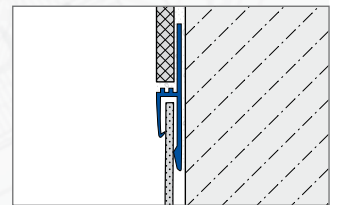
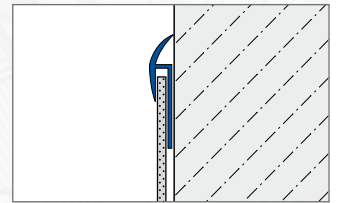
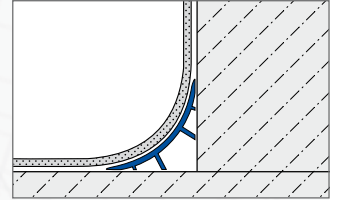
LINO

1/1

Cove former, cove cappings, tile to vinyl profiles, cover and finish strip

- Information Sheet -

DURAL



APPLICATION:

These PVC profiles are used for rounding off corners and edges of linoleum flooring. They are also available for junctions between tiled floors and walls.

PRODUCT DATA:

MATERIAL:	PVC
DIMENSIONS::	Cove former: 32 x 32 mm / 38 x 38 mm
LENGTH:	200 cm, 244 cm (tile-to-vinyl profile)

DURAL GmbH

Südring 11

D-56412 Ruppach-Goldhausen

Tel. +49 (0) 2602/9261-0

Fax +49 (0) 2602/9261-50

info@dural.com