

Since the usage and finishing of the product is not under our control, we accept no liability for the success of the work and can therefore only guarantee the nature of our products as per the accompanying product data sheets and in accordance with our general terms and conditions of sale. The properties listed here represent no guarantee with respect to the eventual use of our products. We reserve the right to make changes due to technical advances. Any other technical information given in the course of a consultation must be confirmed in writing. Colours shown here are restricted by the printing techniques and may differ from those exhibited by the products themselves. We also reserve the right to make alterations to the product technology or design. Only the current version of this data sheet is valid. Such versions are accessible by anyone via the internet. The issue of the latest data sheet invalidates all those that have been published beforehand.

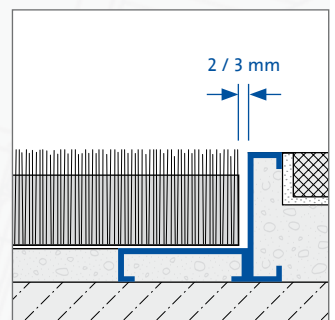
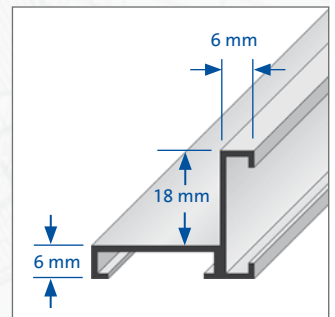
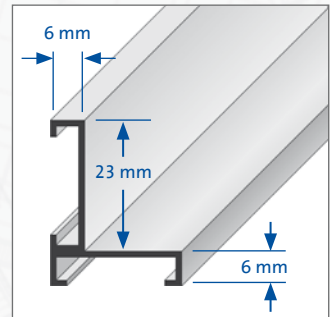
ENTRY

1/2

Profiles for doormat frames

- Information Sheet -

DURAL



APPLICATION:

Rotating by 90° allows the profiles to be used for two different heights of doormat frames. Installation with angle connector and anchoring. Suitable for indoor and outdoor use.

HANDLING:

Instructions for installing ENTRY doormat frame profile

To ensure that the mats lie flat, the screed must form an absolutely plane surface. Any unevenness must be levelled out!

Important: The depth of the recess in the floor must be at least equal to the height of the doormat frame! When installing the ENTRY angle frame, ensure that the frame ends flush with the surface of the floor covering or screed!

If the frame is to be retrofitted in an existing recess, the resulting 6 mm gap must be filled in to ensure that a plane surface is obtained for laying the doormats.

The frame profiles must be carefully mitred. The angle connectors which are supplied give the frame great stability and squareness.

Where profiles are longer than 120 cm, anchorings which engage with the screed must be fitted at regular intervals.

Please ensure that the gap between the frame and the doormat is only 2 / 3 mm all round (sufficient space for inserting and lifting for periodic cleaning). It is therefore important to take great care when fitting the frame. Where doormat frames are used outdoors, a drainage facility must be provided in the floor underneath the doormat.

DURAL GmbH

Südring 11

D-56412 Ruppach-Goldhausen

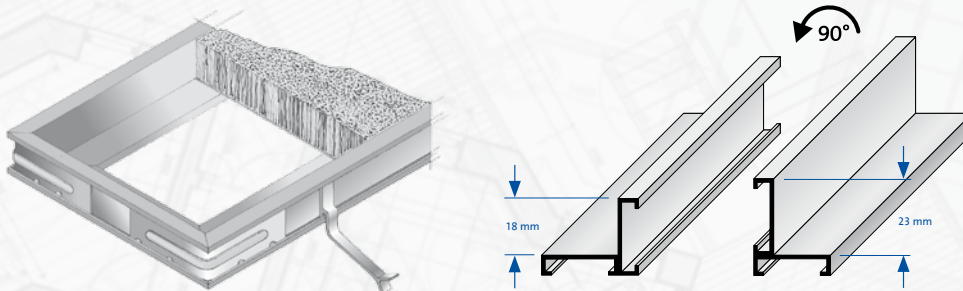
Tel. +49 (0) 2602/9261-0

Fax +49 (0) 2602/9261-50

info@dural.com

Profiles for doormat frames

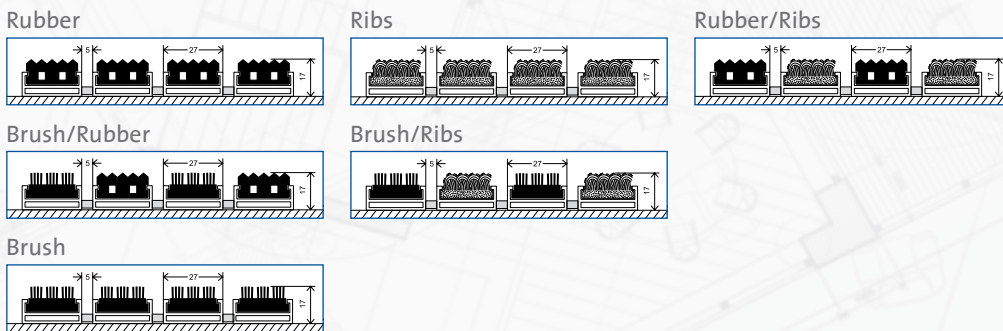
- Information Sheet -



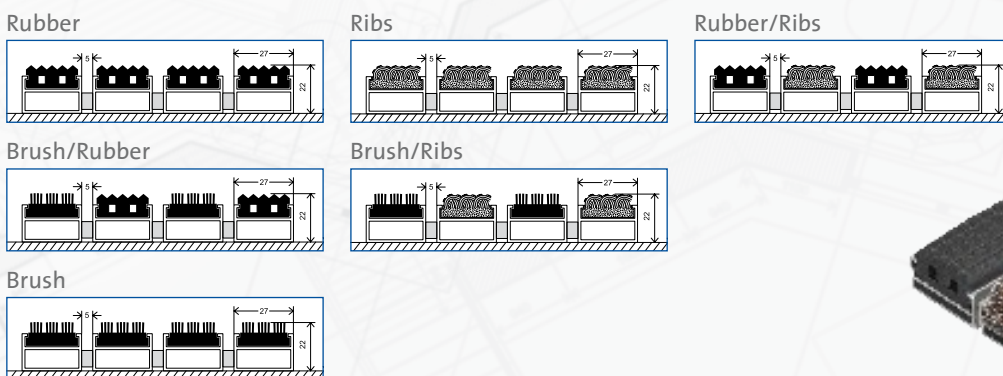
USE:

The ENTRY frame profile is perfectly adapted to the DURAWAY doormat system. DURAWAY doormat frames with a height of 17 and 22 mm can be inserted in ENTRY (18 or 23 mm, depending which way round they are installed).

17 mm DURAWAY doormat system in detail (for ENTRY 18 mm):



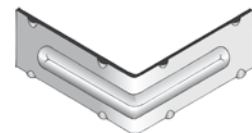
22 mm DURAWAY doormat system in detail (for ENTRY 23 mm):



Anchoring



Angle connector



PRODUCT DATA:

MATERIAL:	Aluminium anodised / brass natural
PROFILE LENGTH:	300 cm
PROFILE HEIGHT:	24 or 29 mm
INTERNAL HEIGHT FOR MATS:	18 or 23 mm
APPLICATION:	Frame profile for doormat insert
ACCESSORIES:	Angle connector and anchoring

DURAL GmbH
 Südring 11
 D-56412 Ruppach-Goldhausen
 Tel. +49 (0) 2602/9261-0
 Fax +49 (0) 2602/9261-50
 info@dural.com