

Since the usage and finishing of the product is not under our control, we accept no liability for the success of the work and can therefore only guarantee the nature of our products as per the accompanying product data sheets and in accordance with our general terms and conditions of sale. The properties listed here represent no guarantee with respect to the eventual use of our products. We reserve the right to make changes due to technical advances. Any other technical information given in the course of a consultation must be confirmed in writing. Colours shown here are restricted by the printing techniques and may differ from those exhibited by the products themselves. We also reserve the right to make alterations to the product technology or design. Only the current version of this data sheet is valid. Such versions are accessible by anyone via the internet. The issue of the latest data sheet invalidates all those that have been published beforehand.

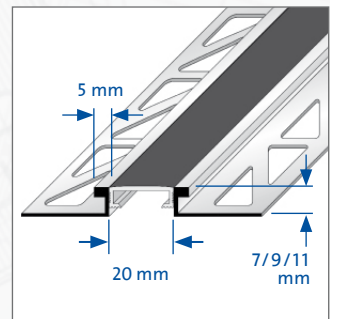
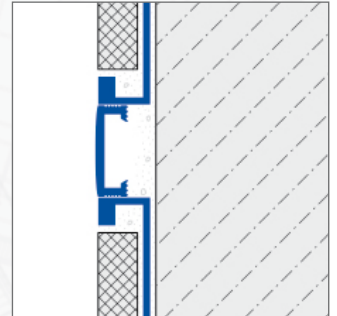
DURALIS SKY LINE

1/2

Decorative and dividing profiles

- Information Sheet -

DURAL



APPLICATION:

DURALIS SKY LINE profiles are highly attractive decorative profiles for use in conjunction with any ceramic wall tiles or even natural stone. DURALIS DARK SKY profiles can be installed in any indoor location, in private, public or commercial buildings which are not subject to serious physical or chemical stress. They are particularly attractive and give rooms that extra touch of individuality. The edging profiles have a visible surface 30 mm wide.

MATERIAL:

DURALIS SKY LINE profiles are made of a combination of gloss-finish anodised aluminium and a powder-coated aluminium surface in the centre of the profile for special decorative effect.

INSTALLATION:

DURALIS SKY LINE profiles are installed at the same time as tiles being laid using flexible mortar conforming to DIN EN 12004. A connecting joint about 2 – 3 mm wide should be left between the tiles and the DURALIS SKY LINE profiles. This should either be filled later with conventional grout or sealed with neutral cure silicone. For technical and aesthetic reasons, the profiles must always be installed flush with the surface of the tiles. We recommend against using grout with abrasive properties since that could cause damage to the surface of the profiles. In addition, any adhesive or mortar residues should be wiped from the profile surface as soon as possible since they may cause irreversible damage to the profiles.

Profiles should be cut to length using a hacksaw with a fine saw blade or with suitable stationary machine saws. Use of angle grinders is not recommended. Cut edges of profiles should have any burrs removed to make sure they abut cleanly to the adjoining material. Inside and outside corners need to be carefully mitred.

DURAL GmbH

Südring 11

D-56412 Ruppach-Goldhausen

Tel. +49 (0) 2602/9261-0

Fax +49 (0) 2602/9261-50

info@dural.com

Decorative and dividing profiles

- Information Sheet -

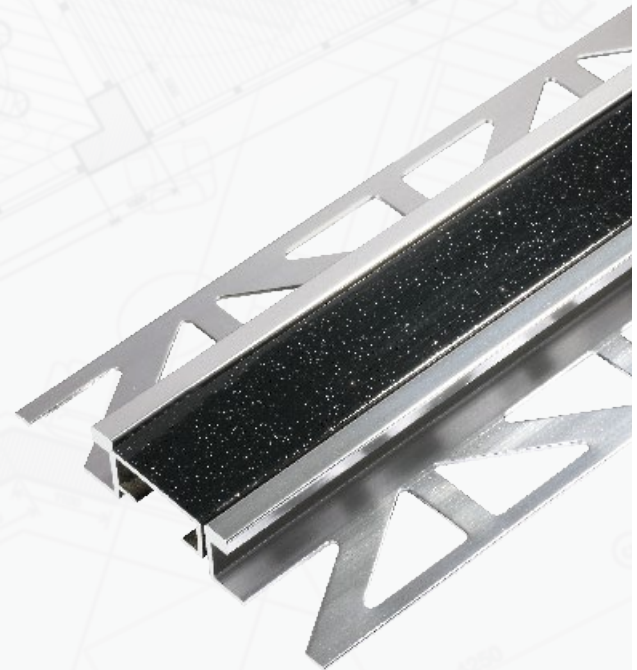
For all products and materials, the following applies: The suitability of the material with regard to the expected mechanical loading and chemical exposure must be investigated carefully in each individual case. The generally recognised rules of good engineering practice must always be observed!

MAINTENANCE:

DURALIS SKY LINE profiles do not require any special maintenance. Cleaning agents should be free of hydrochloric or hydrofluoric acid or other aggressive additives and must not cause scratches to the surface of the profiles. Any cleaning agents used should be neutral in effect, in a pH range roughly between 6 and 7.5.

For regular cleaning, we recommend the use of clean water with a small amount of washing-up liquid added. After cleaning, the profile should be dried off using a dry linen cloth.

When cleaning walls using cement stain remover, suitable measures must be taken to prevent it coming into contact with the profiles to stop the profile surfaces getting damaged.



PRODUCT DATA:

MATERIAL:	Aluminium high gloss anodised / Aluminium powder-coated
INLAY COLOURS:	dark sky (powder-coated black glitter effect)
LENGTH OF PROFILE:	250 cm
VISIBLE WIDTH:	30 mm
HEIGHT OF PROFILE:	7 / 9 / 11 mm
APPLICATION:	Decorative profile for wall coverings

DURAL GmbH
Südring 11
D-56412 Ruppach-Goldhausen
Tel. +49 (0) 2602/9261-0
Fax +49 (0) 2602/9261-50
info@dural.com