

Since the usage and finishing of the product is not under our control, we accept no liability for the success of our products as per the accompanying product data sheets and in accordance with our general terms and conditions of sale. The properties listed here represent no guarantee with respect to the eventual use of our products. We reserve the right to make changes due to technical advances. Any other technical information given in the course of a consultation must be confirmed in writing. Colours shown here are restricted by the printing techniques and may differ from those exhibited by the products themselves. We also reserve the right to make alterations to the product technology or design. Only the current version of this data sheet is valid. Such versions are accessible by anyone via the internet. The issue of the latest data sheet invalidates all those that have been published beforehand.

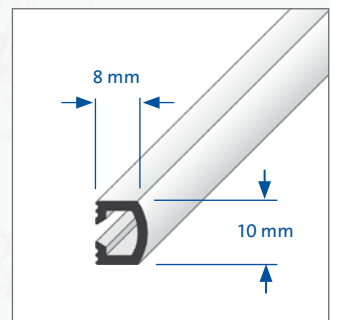
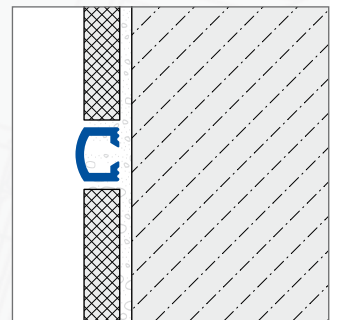
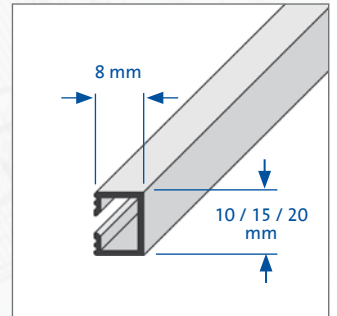
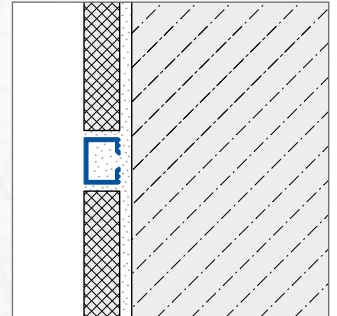
DURALIS

1/2

Decorative and separation profile (listello)

- Information Sheet -

DURAL



APPLICATION:

DURALIS profiles by Dural are decorative strips which were developed for visual wall design. They provide individual aesthetic improvements to tiled areas within the home or work place. The profiles are available in widths of 10, 15, 20 or 25 mm for aluminium and 25 or 40 mm for stainless steel.

MATERIAL:

DURALIS **aluminium anodised profiles** are specially treated thus surface optically does not change in normal case. The visible surfaces, however, must be protected against any cement materials to avoid staining. Abrasive grout must not be used.

DURALIS dark sky profile in **aluminium powder-coated** with sparkling surface meets special styling requirements. To protect surface of profile, abrasive tile grout must not be used. Any tile adhesive and grout residues on surface must be removed immediately.

DURALIS **stainless steel** profiles („Star“ with peel-off strip) are especially suitable for areas with stringent hygiene, aesthetic or chemical resistance requirements. They also meet the toughest standards of resistance to mechanical impact. Stainless steel profiles are used in the foodstuff industry, hospitals, swimming pools and breweries.

PROPERTIES:

DURALIS profiles are intended for decorative use in domestic and commercial areas. They are unlikely to be damaged through scratching during normal use.

For all products and materials, the following applies: The suitability of the material with regard to the expected mechanical loading and chemical exposure must be investigated carefully in each individual case. The generally recognised rules of good engineering practice must always be observed!

DURAL GmbH

Südring 11

D-56412 Ruppach-Goldhausen

Tel. +49 (0) 2602/9261-0

Fax +49 (0) 2602/9261-50

info@dural.com

Decorative and separation profile (listello)

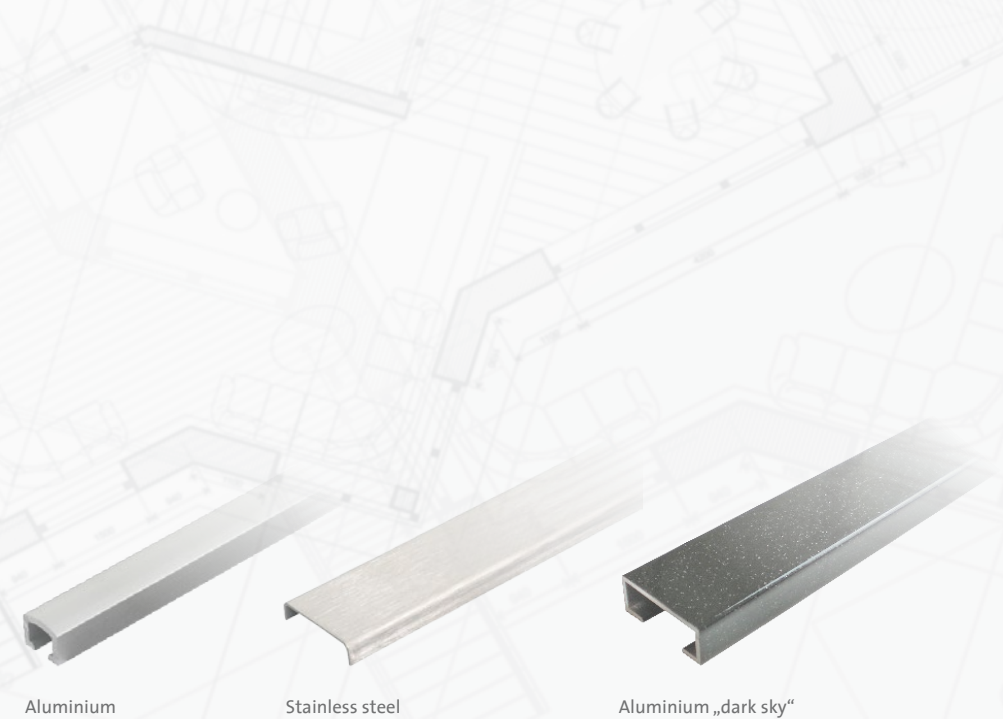
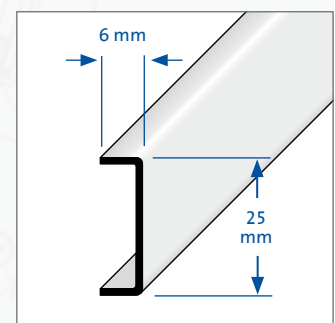
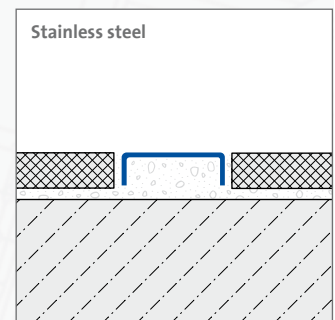
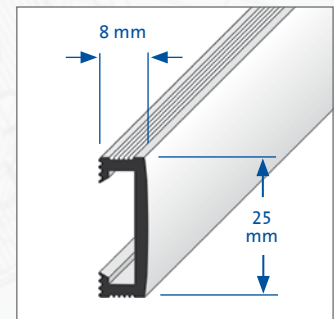
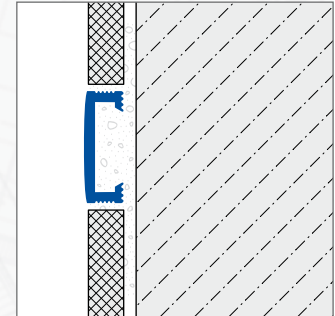
- Information Sheet -

HANDLING:

1. Decide the height at which the decorative profile is to be attached.
2. Apply sufficient tile adhesive onto the wall above the upper line of tiles.
Alternatively, apply tile adhesive onto the rear of the DURALIS profile.
3. Press the DURALIS profile into the adhesive until both surfaces (tile and profile) are flush.
4. Place the next line of tiles above the DURALIS profile.
5. Leave a joint of 2-3 mm between tiles and profile.
6. Fill the space between the tiles and the profile with joint grout completely.
7. Remove any mortar and grout residues immediately from the aluminium surface.

CARE AND MAINTENANCE:

DURALIS profiles do not require any special care. Dirt deposits can be removed with the usual commercial cleaning agents. Cleaning agents must not contain solvents, hydrochloric acid or hydrofluoric acid and must not be abrasive. Neutral cleaning agents are recommended.



Aluminium

Stainless steel

Aluminium „dark sky“

PRODUCT DATA:

MATERIAL:	<ul style="list-style-type: none"> - Aluminium anodised or aluminium high gloss anodised - Aluminium powder-coated, black, with glitter-effect (dark sky) - Stainless steel high gloss („Star“ with peel-off strip) - Stainless steel polished (240 grain) („Star“ with peel-off strip)
LENGTH:	250 cm
VISIBLE WIDTH / HEIGHT:	Aluminium: 10 / 15 / 20 / 25 mm, height: 8 mm Stainless steel: 25 / 40 mm, height: 6 mm

DURAL GmbH

Südring 11

D-56412 Ruppach-Goldhausen

Tel. +49 (0) 2602/9261-0

Fax +49 (0) 2602/9261-50

info@dural.com