

Since the usage and finishing of the product is not under our control, we accept no liability for the success of the work and can therefore only guarantee the nature of our products as per the accompanying product data sheets and in accordance with our general terms and conditions of sale. The properties listed here represent no guarantee with respect to the eventual use of our products. We reserve the right to make changes due to technical advances. Any other technical information given in the course of a consultation must be confirmed in writing. Colours shown here are restricted by the printing techniques and may differ from those exhibited by the products themselves. We also reserve the right to make alterations to the product technology or design. Only the current version of this data sheet is valid. Such versions are accessible by anyone via the internet. The issue of the latest data sheet invalidates all those that have been published beforehand.

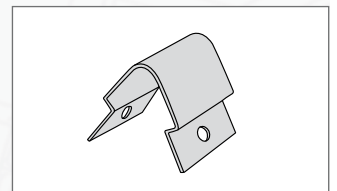
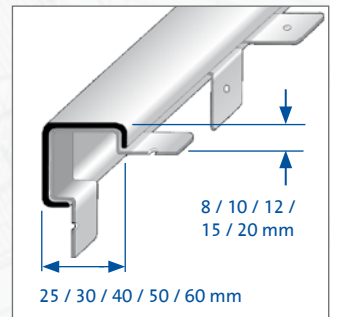
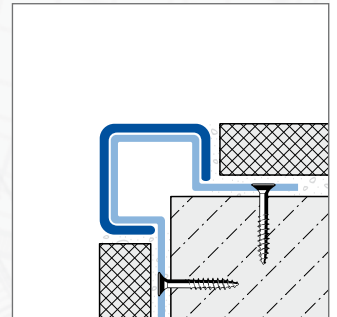
DURAGARD

1/2

Corner protection profile for flush mounting in the tile surface with an anchor fixing

- Information Sheet -

DURAL



APPLICATION:

DURAGARD corner protection profiles from Dural are extremely sophisticated corner profiles made of stainless steel. They were specially developed to protect tiled corners and edges submitted to major loads and stresses. DURAGARD profiles are also ideal for industrial areas where stringent hygienic requirements are in place, for example kitchens and catering or commercial kitchens.

DURAGARD corner protection profiles for flush mounting in the tiled surface are the ideal solution for optimum edge protection. However, they can also be used to create decorative designs and are easy to clean.

MATERIAL:

DURAGARD corner protection profiles are made of V2A stainless steel (1.4301) with a protective film.

PROPERTIES:

DURAGARD stainless steel corner protection profiles are ideal for areas which are subject to high loads and stresses. This also includes chemicals and acids. They also satisfy the highest mechanical requirements. Stainless steel profiles are used in areas such as the food industry, hospitals, swimming pools and breweries.

The following information is applicable to all products/materials: the suitability of the profile with respect to mechanical and chemical loads must be checked carefully in each individual installation case. The generally accepted regulations of technology and good engineering practice must always be observed.

DURAL GmbH

Südring 11

D-56412 Ruppach-Goldhausen

Tel. +49 (0) 2602/9261-0

Fax +49 (0) 2602/9261-50

info@dural.com

Corner protection profile for flush mounting in the tile surface with an anchor fixing

- Information Sheet -

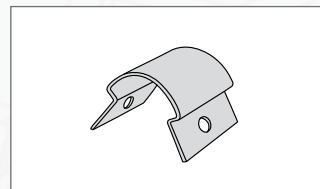
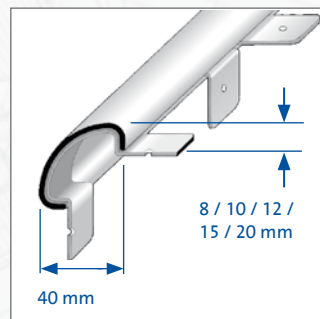
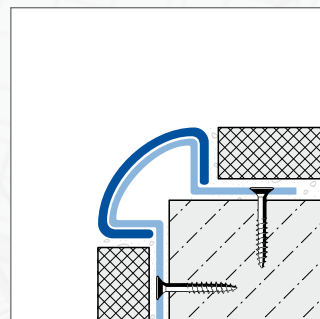
PROCESSING:

For flush installation in the tiled surface:

1. Select the DURAGARD profile according to the tile thickness
2. Push the DURAGARD profile onto the wall anchor and secure it to the wall using screws (3 wall anchors per running metre)
3. Apply tile adhesive to the surrounding area using a notched trowel
4. Trowel over the full surface of the anchoring edge
5. Press the tiles down firmly and align them to produce a flush border with the profile upper edge. Use the solid bed procedure to embed the tiles thoroughly
6. Leave a joint of 2 – 3 mm between profile and tile
7. Completely fill in the gap between the tiles and the profile with grout
8. Remove the protective film

CARE:

Chrome polish is recommended for stainless steel profiles, as it leaves a glossy finish. If stainless steel profiles are exposed to extremely aggressive media, they should be cleaned occasionally using a mild detergent. Detergents must be non-abrasive and free from hydrochloric or hydrofluoric acid.



PRODUCT DATA:

MATERIAL:	Matt stainless steel, finely ground, high-gloss V2A (1.4301) (with protective film)
PROFILE LENGTH:	250 cm
WIDTH:	Square = 25 x 25 / 30 x 30 / 40 x 40 / 50 x 50 / 60 x 60 mm; Round = 40 x 40 mm
TILE HEIGHTS:	8 / 10 / 12 / 15 / 20 mm
INTENDED USE:	Corner protection profile with anchoring

DURAL GmbH

Südring 11

D-56412 Ruppach-Goldhausen

Tel. +49 (0) 2602/9261-0

Fax +49 (0) 2602/9261-50

info@dural.com