

Since the usage and finishing of the product is not under our control, we accept no liability for the success of the work and can therefore only guarantee the nature of our products as per the accompanying product data sheets and in accordance with our general terms and conditions of sale. The properties listed here represent no guarantee with respect to the eventual use of our products. We reserve the right to make changes due to technical advances. Any other technical information given in the course of a consultation must be confirmed in writing. Colours shown here are restricted by the printing techniques and may differ from those exhibited by the products themselves. We also reserve the right to make alterations to the product technology or design. Only the current version of this data sheet is valid. Such versions are accessible by anyone via the internet. The issue of the latest data sheet invalidates all those that have been published beforehand.

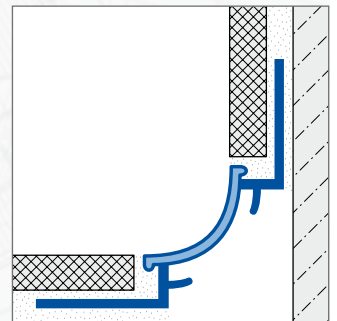
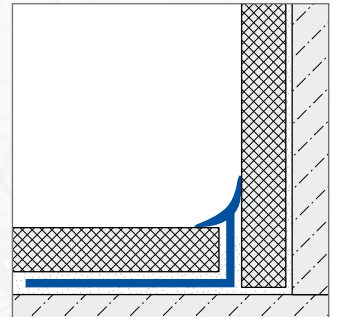
DURACOVE

1/2

Interior corner profile for wall edges

- Information Sheet -

DURAL



APPLICATION:

DURACOVE interior corner profiles are the perfect skirting between walls and floors. The interior corner profiles can be used wherever the hygiene needs are great and cleaning needs to be easy. This is the case in bathrooms, catering facilities or in the food industry for example.

DURACOVE interior corner profiles are available in two versions:

There is a narrow version with one base leg and covering lip for the wall and floor and another that features two base legs. The latter's legs are made of hard PVC linked to a round, elastic interior corner made of soft PVC. This movement zone has the effect of absorbing any tension or pressure acting in the corners and damping them out. This also specifically prevents breaks and cracks occurring and any stresses are distributed evenly throughout the floor and the foundation. Furthermore, DURACOVE profiles also prevent any contact that might lead to conduction of sound. The various different heights mean that they can be used in many different applications. The special profiles can also be used for corners between walls.

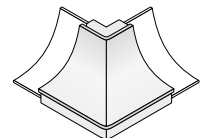
MATERIAL:

DURACOVE interior corner profiles are made of single-coloured PVC and are available in the colours white, beige, grey and ivory.

PROPERTIES:

DURACOVE interior corner profiles are UV resistant and are free of emollients. They are also resistant to all chemicals that are usually used in tile laying. Damage to the visible surface due to bending or scratching is unlikely to occur under normal circumstances. However, the use of the product in relation to mechanical and chemical stresses should be assessed for each individual case.

external corner



interior corner



DURAL GmbH

Südring 11

D-56412 Ruppach-Goldhausen

Tel. +49 (0) 2602/9261-0

Fax +49 (0) 2602/9261-50

info@dural.com

Interior corner profile for wall edges

- Information Sheet -

INSTALLATION:

a) Profiles with single base leg

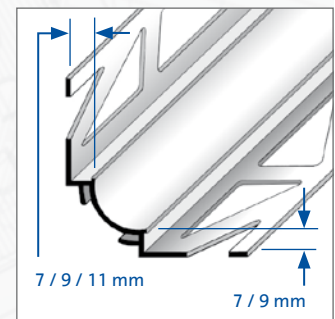
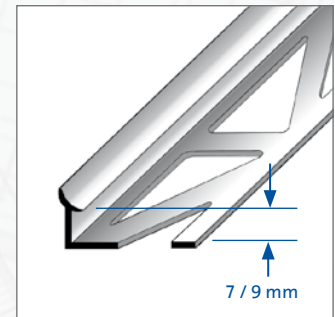
1. Lay wall tiles.
2. Select DURACOVE interior corner profiles according to the thickness of the tiles (floor tiles).
3. Apply tile adhesive to the edges using a serrated trowel.
4. Press the DURACOVE profile into the adhesive bed and align.
5. Cover the attachment base completely with adhesive.
6. Press in the floor tiles firmly and align them so that they are flush with the edges of the profile. Lay the tiles on a full bed.
7. Allow for a joint of 2 mm between tile and profile.
8. Completely fill the space between tile and profile with grout.

b) Profiles with two base legs

1. Select DURACOVE interior corner profiles according to the thickness of the tiles (wall and floor tiles).
2. Apply tile adhesive to the edges using a serrated trowel.
3. Press the DURACOVE profile into the adhesive bed and align.
4. Cover the attachment base completely with adhesive.
5. Press in the wall and floor tiles firmly and align them so that they are flush with the edges of the profile. Lay the tiles on a full bed.
6. Allow for a joint of 2 mm between tile and profile.
7. Completely fill the space between tile and profile with grout.

MAINTENANCE:

DURACOVE interior corner profiles do not require any special maintenance. They are resistant to fungi and bacteria. They are cleaned „automatically“ when the tiles are cleaned. Cleaning agents should be free of hydrochloric acid and abrasive constituents.



PRODUCT DATA:

MATERIAL:	PVC
COULOR:	white, beige, grey, ivory
LENGTH:	250 cm
DIMENSIONS:	7 / 9 mm (with single base legs); 7 / 9 / 11 mm (with two base legs)

DURAL GmbH

Südring 11

D-56412 Ruppach-Goldhausen

Tel. +49 (0) 2602/9261-0

Fax +49 (0) 2602/9261-50

info@dural.com