

Since the usage and finishing of the product is not under our control, we accept no liability for the success of the work and can therefore only guarantee the nature of our products as per the accompanying product data sheets and in accordance with our general terms and conditions of sale. The properties listed here represent no guarantee with respect to the eventual use of our products. We reserve the right to make changes due to technical advances. Any other technical information given in the course of a consultation must be confirmed in writing. Colours shown here are restricted by the printing techniques and may differ from those exhibited by the products themselves. We also reserve the right to make alterations to the product technology or design. Only the current version of this data sheet is valid. Such versions are accessible by anyone via the internet. The issue of the latest data sheet invalidates all those that have been published beforehand.

# DURABAL ST

1/4

## Height-adjustable boundary profile with integrated drainage for balconies and terraces

- Product information -



For installation on coverings on supports, for direct installation, in drainage mortar, in the gravel/crushed-stone bed or even as a gravel strip.

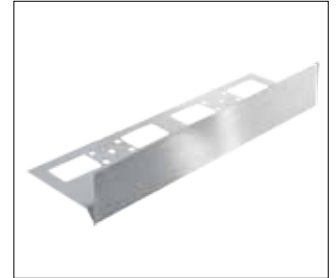
### THE ISSUE

The open peripheries of balconies and terraces place the most stringent requirements on boundary profiles in terms of their look, installation, as well as the material. Depending on the structure of the ground covering, a variety of heights need to be covered. Integration in different waterproofing variants while ensuring sufficient water drainage and the greatest possible protection of deeper building sections is just as important. Last but not least, an attractive look should be maintained for many years without the need for major maintenance effort.

### THE SOLUTION: DURABAL ST

DURABAL ST is a two-piece boundary profile system for balconies and terraces with a widely diversified area of application.

The combination of base and plug-in profiles can be steplessly adjusted in height and is therefore suitable for installation heights of 30 mm to 120 mm. The open peripheries of balconies and terraces are thus optimally and elegantly protected, depending on the selected covering structure. DURABAL ST is therefore especially suited for loose installation on thinner and self-supporting coverings on a drainage mat (e.g. DURABASE DD 80 ++ ) or on supports, as well as for installation in drainage mortar or on a gravel/crushed-stone bed, or can even be used as a gravel strip.



DURAL GmbH

Südring 11

D-56412 Ruppach-Goldhausen

Tel. +49 (0) 2602/9261-0

Fax +49 (0) 2602/9261-50

info@dural.com

## Height-adjustable boundary profile with integrated drainage for balconies and terraces

- Product information -

The internal drainage not visible from the outside guarantees water drainage from the layer of building waterproofing without any externally visible run marks, thanks to sufficiently large-sized openings. The drip edge effectively keeps water away from the masonry and structural elements located further. That way, "run marks" do not appear on the visible front surface.

**The DURABAL ST System includes the following components:**

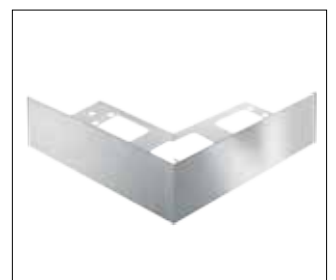
- Base profiles for installation heights of 30 mm and 60 mm.
- Plug-in profiles for heights of 30/45/60/75 mm.
- Connectors for base profiles in 45 mm and 75 mm height to cover the edges.
- Base profile external corners for installation heights of 30 mm and 60 mm.
- Corner plug-in profiles for heights of 30/45/60/75 mm.

### DURABAL ST installation heights:

Base profile	Plug-in profile	Dimensions
STE 30-SF	STE 30-SF-XA	32 - 45 mm
STE 30-SF	STE 45-SF-XA	32 - 60 mm
STE 30-SF	STE 60-SF-XA	42 - 75 mm
STE 30-SF	STE 75-SF-XA	57 - 90 mm
STE 60-SF	STE 30-SF-XA	62 - 75 mm
STE 60-SF	STE 45-SF-XA	62 - 90 mm
STE 60-SF	STE 60-SF-XA	62 - 105 mm
STE 60-SF	STE 75-SF-XA	62 - 120 mm

### MATERIAL AND CARE

All components of the system are manufactured from V4A stainless steel (316) and feature a brushed surface. With this alloy, the profile is resistant against weather effects, road salt and fertiliser - an aspect which especially important on terraces which have direct contact with lawn areas. This is because aggressive acids form when fertiliser is applied. These can do no harm to the corrosion-resistant steel. Therefore, the system will retain its attractive look, as well as functionality for a long time.



DURAL GmbH

Südring 11

D-56412 Ruppach-Goldhausen

Tel. +49 (0) 2602/9261-0

Fax +49 (0) 2602/9261-50

info@dural.com

[www.dural.com](http://www.dural.com)

## Height-adjustable boundary profile with integrated drainage for balconies and terraces

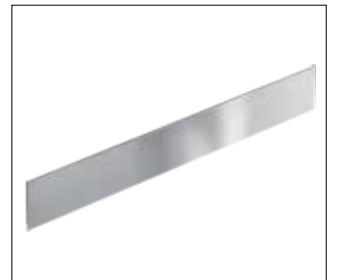
- Product information -

### INSTALLATION (QUICK GUIDE)

Installation of the DURABAL ST base profiles is independent of the selected ground covering structure. Here the support base of the base profile is incorporated at the appropriate height into the subsurface beneath the building waterproofing and screwed in place. If needed, protract and adjust a fitting plug-in profile. The selected height is then fixed using a technical clamping effect. For additional reinforcement, the holes on the inside of the plug-in profile can be fixed with assembly adhesive.

### INDICATIONS

Please refer to our detailed installation instructions on-line at [www.dural.de](http://www.dural.de). The generally recognised rules of good engineering practice must always be observed! The following applies to all products/materials: Usability in terms of mechanical and chemical loads should be carefully checked in each case before installation.



DURAL GmbH

Südring 11

D-56412 Ruppach-Goldhausen

Tel. +49 (0) 2602/9261-0

Fax +49 (0) 2602/9261-50

[info@dural.com](mailto:info@dural.com)

# DURABAL ST

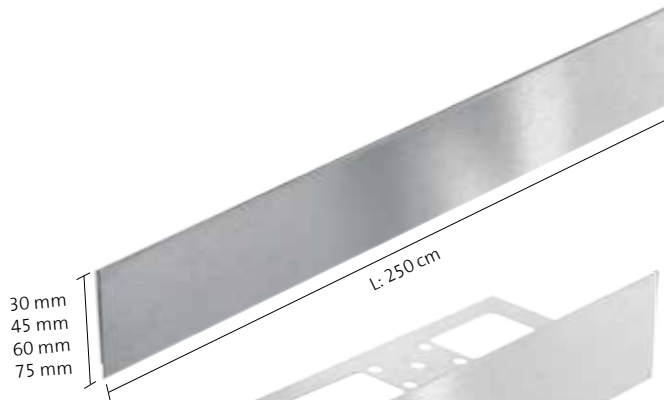
4/4

## Height-adjustable boundary profile with integrated drainage for balconies and terraces

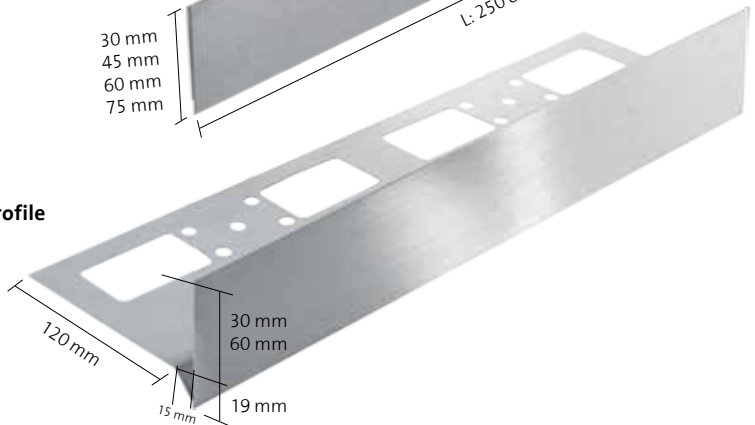
- Product information -

**DURAL**

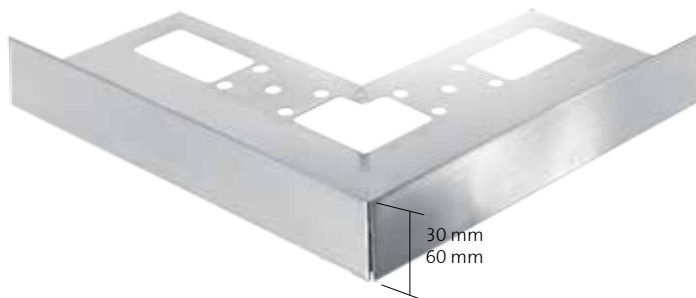
**Plug-in profile**



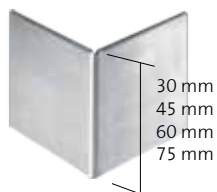
**Base profile**



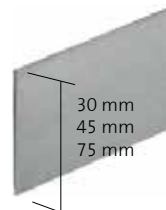
**External corners**



**Corner plug-in profiles**



**Connector**



DURAL GmbH

Südring 11

D-56412 Ruppach-Goldhausen

Tel. +49 (0) 2602/9261-0

Fax +49 (0) 2602/9261-50

info@dural.com