

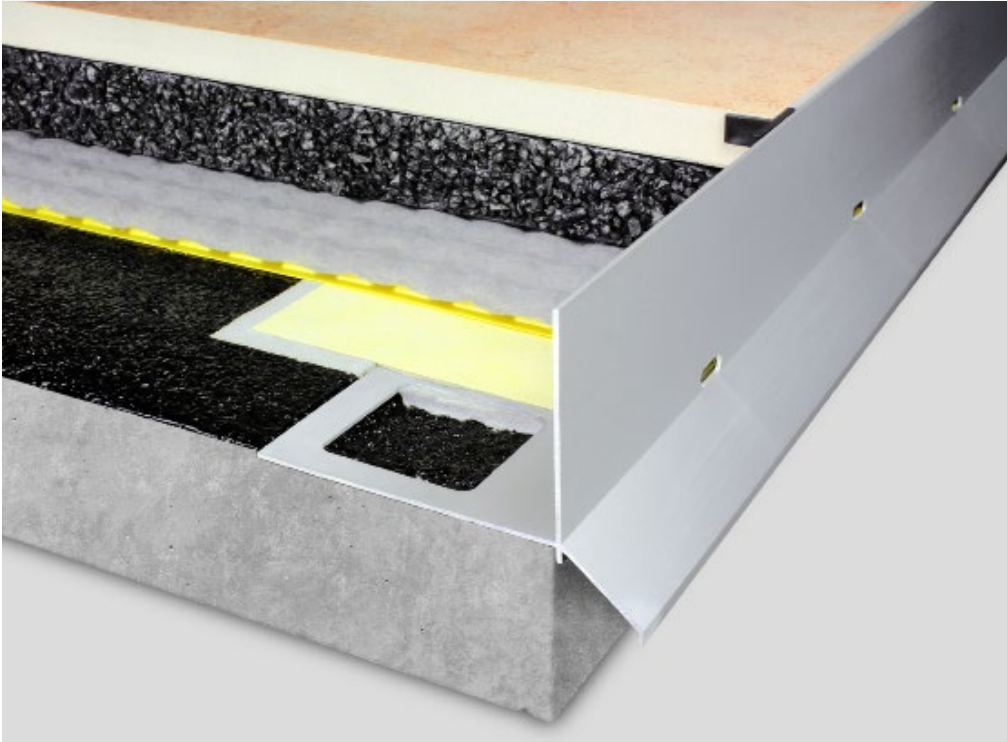
Since the usage and finishing of the product is not under our control, we accept no liability for the success of our products as per the accompanying product data sheets and in accordance with our general terms and conditions of sale. The properties listed here represent no guarantee with respect to the eventual use of our products. We reserve the right to make changes due to technical advances. Any other technical information given in the course of a consultation must be confirmed in writing. Colours shown here are restricted by the printing techniques and may differ from those exhibited by the products themselves. We also reserve the right to make alterations to the product technology or design. Only the current version of this data sheet is valid. Such versions are accessible by anyone via the internet. The issue of the latest data sheet invalidates all those that have been published beforehand.

DURABAL BL

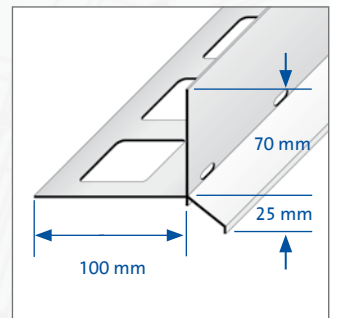
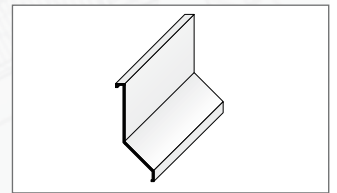
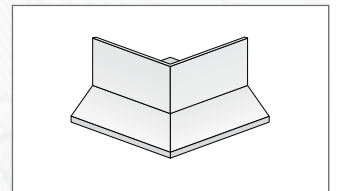
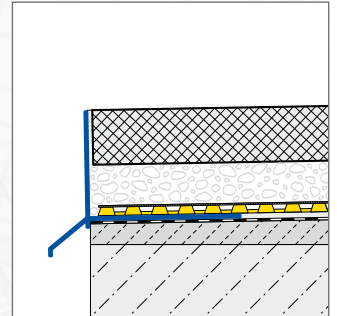
1/2

Balcony corner profile for gravel bases with drainage holes

- Information Sheet -



DURAL



APPLICATION AND FUNCTION:

DURABAL BL profiles for laying pavings on gravel are special aluminium balcony edging profiles with a robust angled shape with inclined gutter and drainage holes in the front edge for application at the open edges of balconies and terraces.

DURABAL BL profiles for gravel bases are used in conjunction with loose laying of large-sized self-bearing pavings, such as concrete paving stones, ceramic or natural stone, onto loose gravel bases or stilted or terrace bases. DURABASE-DD drainage mat under the paving should be placed over basic leg of profile up to approx. 5 mm to front edge.

DURABAL BL profiles for gravel bases are placed with the perforated square leg touching the edge of the built-in sealing and aligned as necessary flush and at the right height. For drainage purposes the profile should be laid in such a way that immersive rainwater runs off through the drainage holes in the front of the DURABAL BL profile, level with the lowest drainage level of the balcony construction. The DURABAL BL balcony profile should be secured by appropriate methods that do not hinder in any way the drainage of water through the holes at the front. Paving should be laid to flush with upper edge of DURABAL BL profile.

PROPERTIES AND USAGE:

DURABAL BL aluminium profiles are highly robust and are highly resistant to weathering. The powder coating of the aluminium is also colour-fast, UV resistant and resistant to weathering. The visible surfaces should be protected from abrasion especially during installation and laying of paving. The usage of DURABAL BL with regard to the expected chemical and mechanical influence should be assessed in some special cases.

DURAL GmbH

Südring 11

D-56412 Ruppach-Goldhausen

Tel. +49 (0) 2602/9261-0

Fax +49 (0) 2602/9261-50

info@dural.com

Balcony corner profile for gravel bases with drainage holes

- Information Sheet -

MATERIAL:

DURABAL BL profiles for gravel bases are available in three different material finishes, natural aluminium, anodised aluminium and powder-coated aluminium (RAL 7035 light grey), and in installation heights from 70 mm to 95 mm. Profile connecting and corner pieces are also available to supplement the range.

For all products and materials, the following applies: The suitability of the material with regard to the expected mechanical loading and chemical exposure must be investigated carefully in each individual case. The generally recognised rules of good engineering practice must always be observed!

CARE AND MAINTENANCE:

Regular cleaning of balcony profiles is recommended to maintain their attractive appearance and avoid corrosion. The edge support and long-term drainage of balconies and terraces is ensured by the use of the DURABAL BL profile for gravel bases.

RAL 7035

PRODUCT DATA:

MATERIAL:	– Aluminium natural – Aluminium silver anodised – Aluminium powder coated RAL 7035 light grey
LENGTH:	250 cm
HEIGHT:	Total height: 95 mm, Cover height: 70 mm
WIDTH OF BASE:	100 mm
TYPE OF USE:	Balcony and terrace angle profile for gravel bedding
MANUFACTURE:	In accordance with DIN EN 755-1, "Aluminium and aluminium alloys – Extruded rod/bar, tube and profiles - Part 1: Technical conditions for inspection and delivery".
COEFFICIENT OF THERMAL EXPANSION:	Aluminium = 24×10^{-6} m/m °C

DURAL GmbH

Südring 11

D-56412 Ruppach-Goldhausen

Tel. +49 (0) 2602/9261-0

Fax +49 (0) 2602/9261-50

info@dural.com