

EXP

# CONSTRUCT SKIRTING SYSTEMS

**DURAL**



BRILLIANT  
EDGES FOR  
ANY FLOOR

TILED  
NATURAL STONE  
PARQUET  
LAMINATE  
CARPETED  
FLOORS  
DESIGN  
SURFACING



CONSTRUCT *Square*  
CONSTRUCT *Elegant*  
CONSTRUCT *Metal*  
CONSTRUCT *PT*  
CONSTRUCT *PT LED*  
CONSTRUCT *Carpet*  
CONSTRUCT *Solid Core*



# CONSTRUCT SKIRTING SYSTEMS

The skirting is like a frame for a picture. For each frame you need to know the way of fixing, kind of corners and the general matching into the room. Dural offers many different skirtings with various designs.

## CONTENTS

### CONSTRUCT SKIRTING SYSTEMS

CONSTRUCT <i>Square</i>	Aluminium skirting in one piece with a square cross-section	4-5
CONSTRUCT <i>Elegant</i>	Removable skirting strip with cable duct	6-7
CONSTRUCT <i>Metal</i>	Stylish skirting strip for adhesive bonding in aluminium or stainless steel	8-9
CONSTRUCT <i>PT</i>	Skirting system with cable duct	10-11
CONSTRUCT <i>PT LED</i>	Illuminated skirting with cable duct	12-13
CONSTRUCT <i>Carpet</i>	Skirting strip for the adhesive bonding of fitted carpets	14-15
CONSTRUCT <i>Solid Core</i>	PVC core skirting strip	14-15





# CONSTRUCT *Square*

Aluminium skirting strip in one piece with a square cross-section



## CONSTRUCT *Square*

Elegant and discrete but nevertheless decorative made of premium quality aluminium and available in two different colours - this is the new CONSTRUCT *Square* skirting strip. Silver anodised or white powder-coated, this skirting fits harmoniously into the bright architecture of modern interior design. Just being 60 mm high, it produces discrete transitions between flooring surfaces and wall designs and an internal cavity of 10 mm offers ample space for all cable types. Internal and external corners and end caps are created by a versatile accessory piece, making it possible to master any interior layout using only two system components.



### TECHNICAL SPECIFICATIONS

Material	Aluminium
Colour	anodised: silver powder-coated: white
Height	60 mm
Width	10 mm
Length	250 cm
Accessories	Special parts: For universal use there exist internal or external corners as well as end caps.

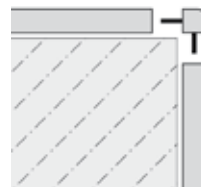
Universal use as either internal or external corner and end cap.



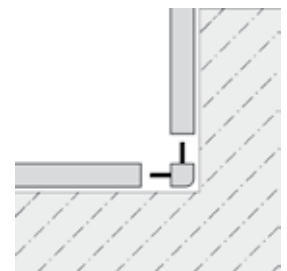
Silver anodised



white powder-coated



Special part:  
external corner



Special part:  
internal corner



Special part:  
end cap left

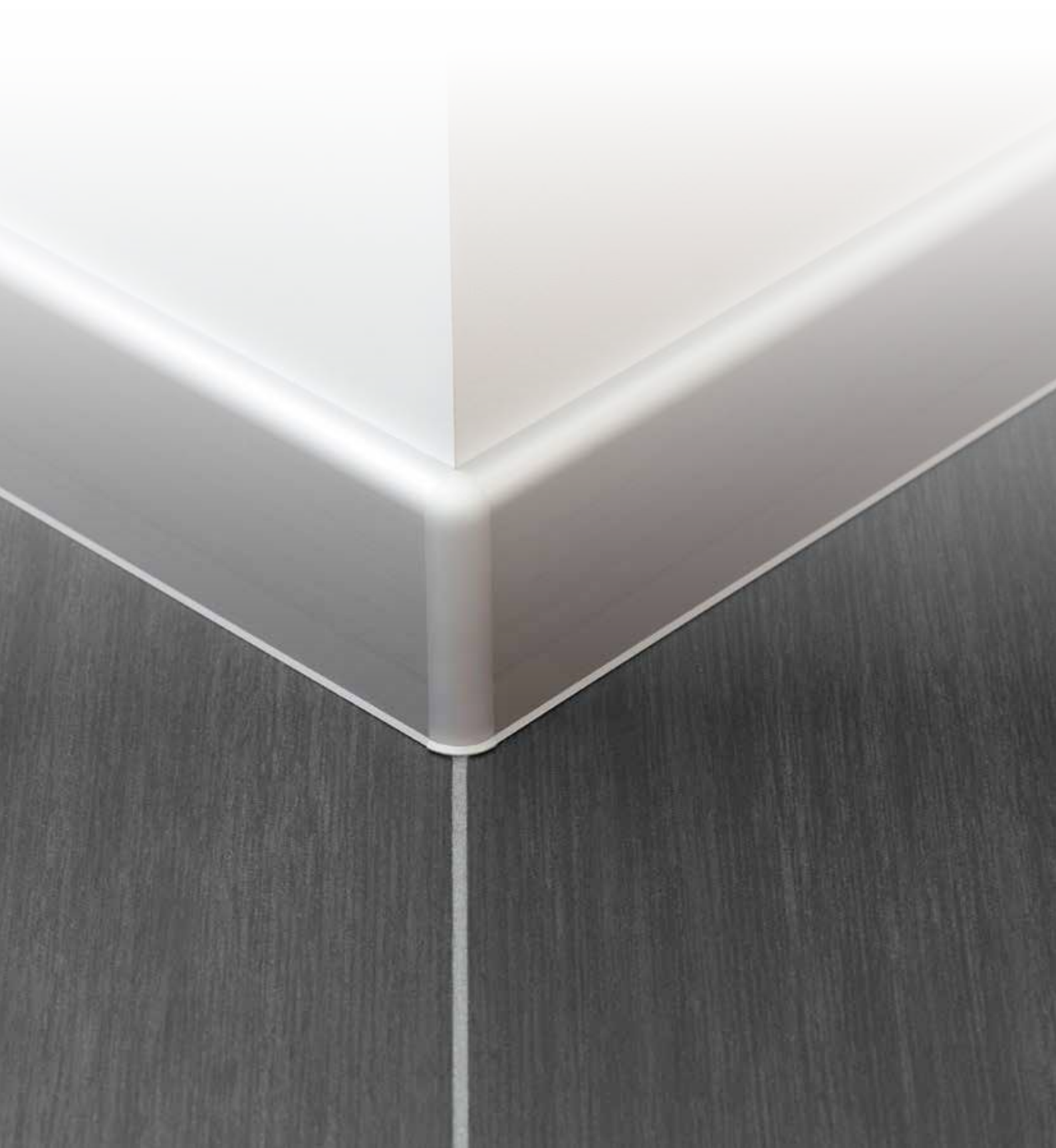


Special part:  
end cap right



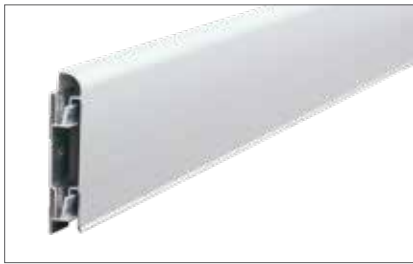
# CONSTRUCT *Elegant*

Removable skirting strip with cable duct




## ■ CONSTRUCT *Elegant*

CONSTRUCT *Elegant* is a stylish skirting system in anodised aluminium with a concealed fixing for all flooring surfaces. The skirting can be removed without using tools, and cables can be laid between the wall bracket and the cover. Matching end pieces, connectors and end caps complete the good visual appearance.



### TECHNICAL SPECIFICATIONS

Material	Aluminium
Colour	anodised: silver
Height	70 mm
Width	11 mm
Length	250 cm
Accessories	External corner, internal corner, connectors, end caps, wall holder
	



# CONSTRUCT *Metal*

Adhesive skirting in aluminium or stainless steel

To create the desired radius simply use the CONSTRUCT *Metal* skirting with the Dural „Z-Flex Curver“.

**Z-Flex**



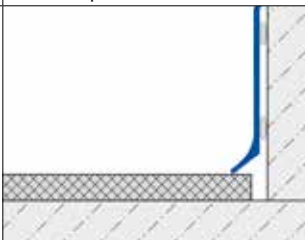


## CONSTRUCT *Metal* Aluminium

CONSTRUCT *Metal* „Aluminium“ is an elegant skirting system made of anodised aluminium for all flooring surfaces. Five decorative finishes ensure a perfect appearance. Matching end caps and connectors are available to complete the system.



### TECHNICAL SPECIFICATIONS

Material	Aluminium anodised
Surfaces	silver, silver brushed, gold, champagne, titanium
Height	40*, 60, 80, 100 mm
Width	11 mm
Length	250 cm
Accessories	External corner, internal corner, connectors, end caps
	

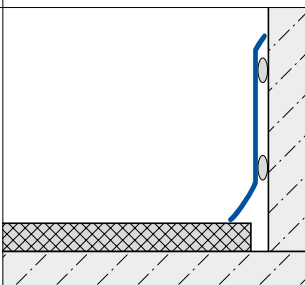
\* only in silver

## CONSTRUCT *Metal* Stainless Steel

CONSTRUCT *Metal* „Stainless Steel“ is an elegant skirting system made of high polished V2A stainless steel, useable for all flooring surfaces. Installation can be quickly and easily be done by using the matching adhesive.



### TECHNICAL SPECIFICATIONS

Material	Stainless Steel (V2A)
Surface	high glossy
Height	60, 80 mm
Width	11 mm
Length	250 cm
	

# CONSTRUCT *PT*

Skirting system with cable duct



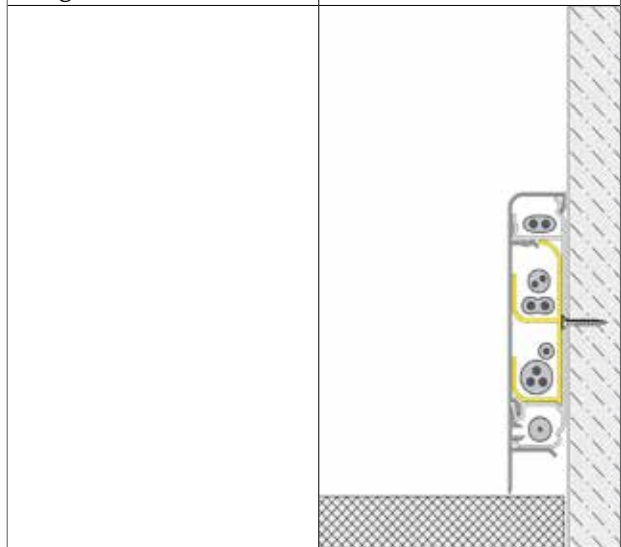
## ■ CONSTRUCT PT

CONSTRUCT PT is the future skirting system. The exchangeable components of the basic profile, top cover, cover and floor connection profile in 4 colours change an elegant skirting profile very quickly to a cable duct. The straightforward replacement of the top cover profile means CONSTRUCT PT can be equipped with LED strips.



### TECHNICAL SPECIFICATIONS

Material	Aluminium
anodised powder coated	silver white matt, black matt, dark sky
Height	105 mm
Width	21 mm
Length	250 cm



# CONSTRUCT *PT LED*

Illuminated skirting with cable duct





## ■ CONSTRUCT PT LED

CONSTRUCT PT LED with lighting application.

The top cover profile can easily be replaced by the LED alternative and the skirting is immediately ready for assembly with LED strips. This does not affect the use as elegant cable duct. The LED variant cover is available on request.



silver anodised



white matt



white translucent



black matt



Complete set

### TECHNICAL SPECIFICATIONS

Material	Polystyrene white translucent
Width	21 mm
Length	250 cm

# CONSTRUCT *Carpet*

Skirting strip for sticking carpet

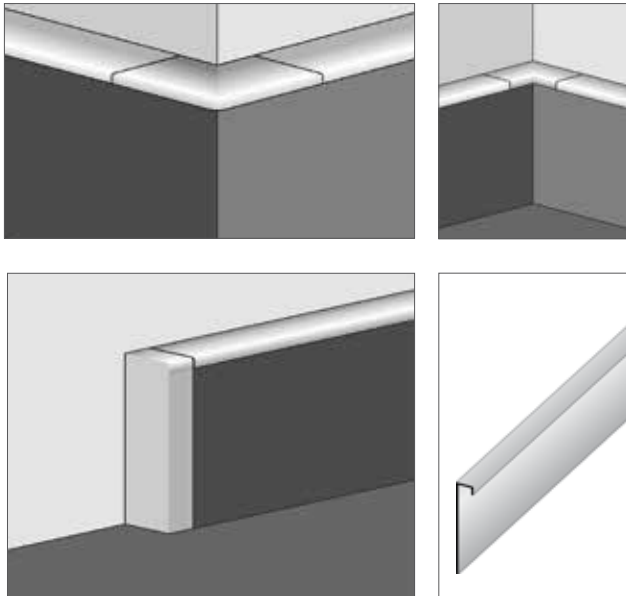
# CONSTRUCT *Solid Core*

Standard PVC skirting strip



## CONSTRUCT *Carpet*

PVC skirtings for sticking fitted carpet pieces for a perfect carpet laying. Internal and external corners are also available.

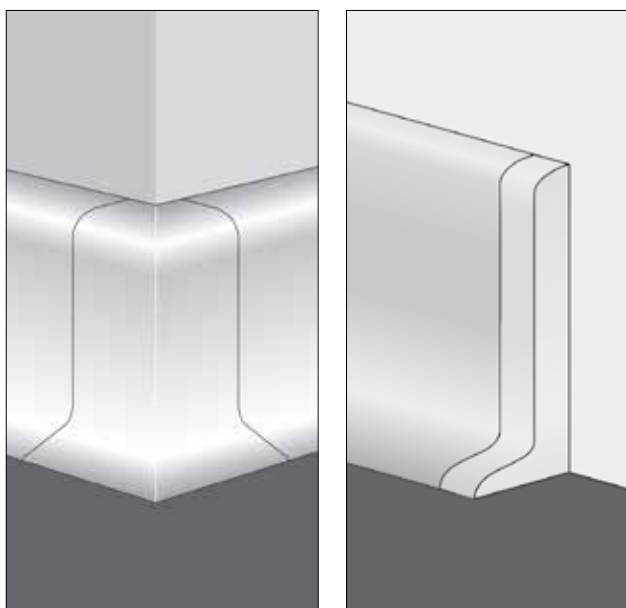


### TECHNICAL SPECIFICATIONS

Material	PVC, PVC/MDF
Colour	dark grey, light grey, white, black
Wood finish	light oak, beech, pine
Height	55 mm
Width	7 mm
Length	250, 255, 515 cm
Accessories	External corner, internal corner, end caps

## CONSTRUCT *Solid Core*

PVC skirtings in modern unique colours and wood finishes. No gluing of the fitted carpet required. Suitable for all floor types. The reinforcement of the backing using an MDF core or foamed PVC helps to cover edge joints.

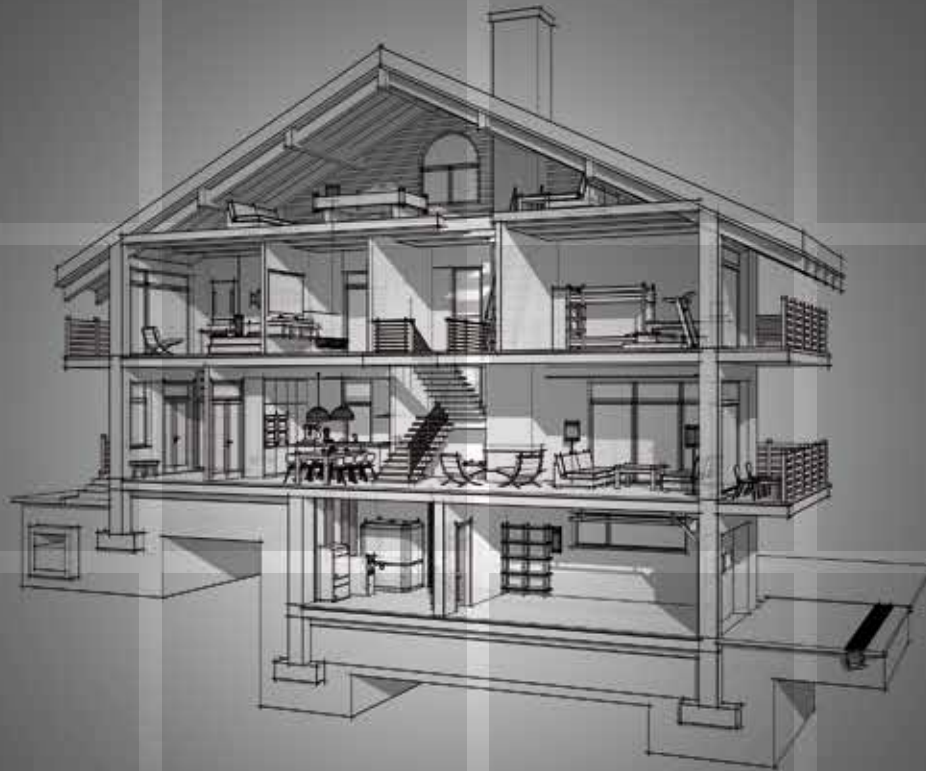


### TECHNICAL SPECIFICATIONS

Material	PVC/PVC, PVC/MDF
Colour	PVC: white, beige, black, dark grey, light grey
Wood finish	grey brown, beech, rustic oak, walnut, light oak, pine, cherry mahogany
Height	60, 100 mm
Length	250, 255, 515 cm
Accessories	End caps

DURAL is a comprehensive provider of floor-level shower systems, profiles and matting systems for walls and floors

**DURAL**



Tile profiles

Expansion joint and  
movement joint profiles

Decoupling and drainage  
mats

Barrier-free, floor level  
shower systems

LED-Profiles

LED-Lightings

Skirting Profiles

Profiles for Balconies /  
Terraces / Entranceways

Doormat systems

Step nosing profiles

Profile systems  
for parquet, laminate,  
carpet and design  
flooring

Tactile orientation aids

Recommended by:

**DURAL GMBH**

Südring 11

D-56412 Ruppach-Goldhausen

Tel.: +49[0]2602/9261-0

Fax: +49[0]2602/9261-50

info@dural.com

www.dural.com