

Since the usage and finishing of the product is not under our control, we accept no liability for the success of the work and can therefore only guarantee the nature of our products as per the accompanying product data sheets and in accordance with our general terms and conditions of sale. The properties listed here represent no guarantee with respect to the eventual use of our products. We reserve the right to make changes due to technical advances. Any other technical information given in the course of a consultation must be confirmed in writing. Colours shown here are restricted by the printing techniques and may differ from those exhibited by the products themselves. We also reserve the right to make alterations to the product technology or design. Only the current version of this data sheet is valid. Such versions are accessible by anyone via the internet. The issue of the latest data sheet invalidates all those that have been published beforehand.

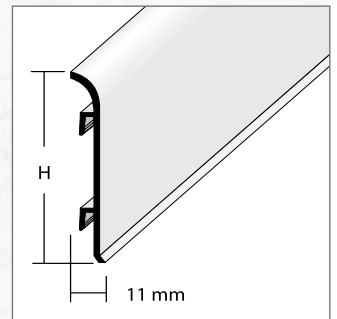
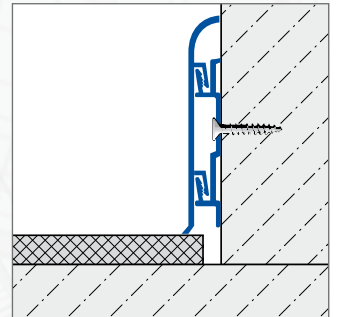
# CONSTRUCT *Elegant*

1/2

## Two-piece skirting trunking system

- Information Sheet -

**DURAL**



### APPLICATION:

CONSTRUCT Elegant is a stylish skirting system in anodised aluminium with a concealed fixing for all flooring surfaces. The skirting can be removed without any tools, and cables can be laid between the wall bracket and the cover. Matching internal / external corner pieces, connectors and end caps complete the visually appealing impression.

### MATERIAL:

The anodised aluminium CONSTRUCT Elegant skirting system is specially treated so that surfaces should normally not change. Visible surfaces, though, must nevertheless be protected from all cement materials. Damage can also occur due to grating or abrasive grout or other objects.

### MAINTENANCE:

The CONSTRUCT Elegant skirting systems do not require any special care. They can easily be cleaned when necessary using clear, clean water with a few drops of washing up liquid. Cleaning agents must specifically be free of hydrochloric or fluoric acid and must not be abrasive.

DURAL GmbH  
Südring 11  
D-56412 Ruppach-Goldhausen  
Tel. +49 (0) 2602/9261-0  
Fax +49 (0) 2602/9261-50  
info@dural.com

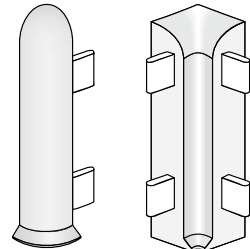
## Two-piece skirting trunking system

- Information Sheet -

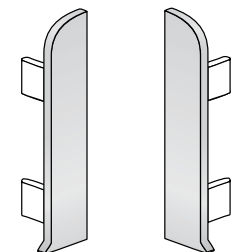
### INSTALLATION:

1. Mark the necessary height position of the wall holder to the substrate under consideration of the skirting support on the backside
2. Fix the wall holder in a distance of approx. 42 cm on the wall with dowels and countersunk screws (approx. size 3.0 x 20 mm)
3. Clip the Elegant skirting on the wall holder
4. In case of cutting please use a suitable tool (e.g. compound saw)
5. In corner areas please use the internal and external corner pieces, in any end areas the end caps. Use the relevant connectors if you install more skirtings in a continuous line in order to connect them

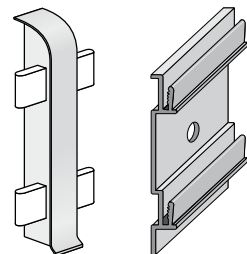
### External and internal corner



### End caps



### Connector, Wall holder



### PRODUCT DATA:

<b>MATERIAL:</b>	Aluminium silver anodised
<b>LENGTH:</b>	250 cm
<b>HEIGHT:</b>	70 mm
<b>ACCESSORIES:</b>	External corner, internal corner, Connector, End cap, Wall holder

DURAL GmbH

Südring 11

D-56412 Ruppach-Goldhausen

Tel. +49 (0) 2602/9261-0

Fax +49 (0) 2602/9261-50

info@dural.com